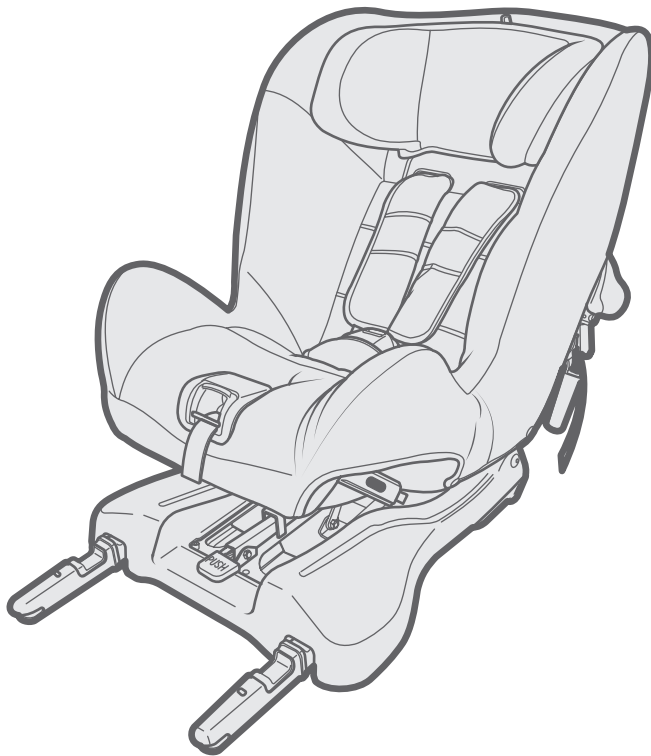


Axkid Rekid



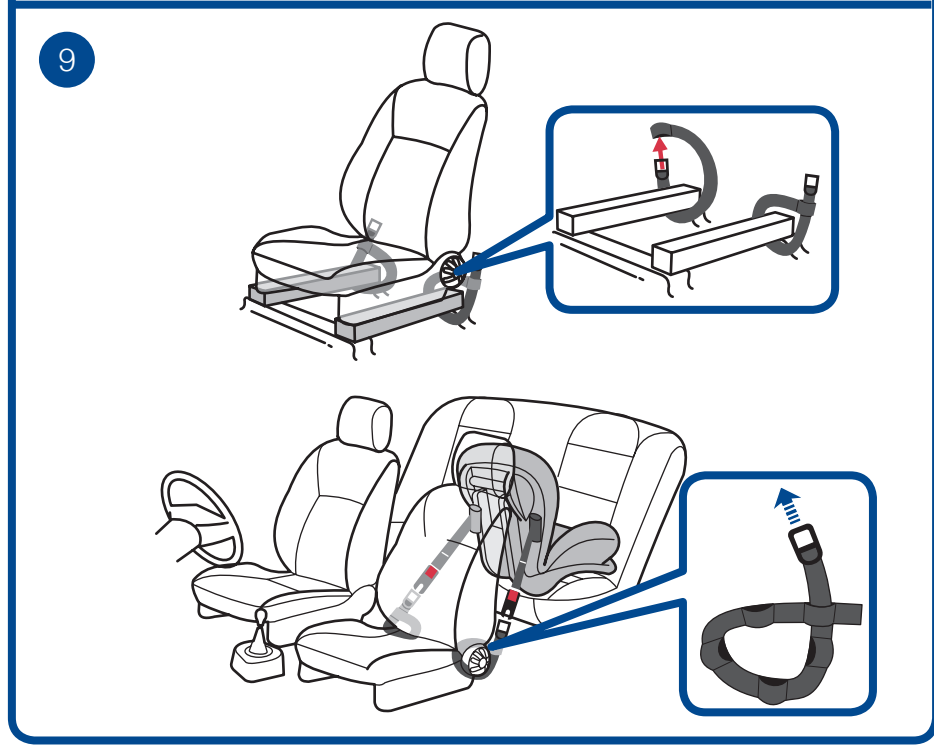
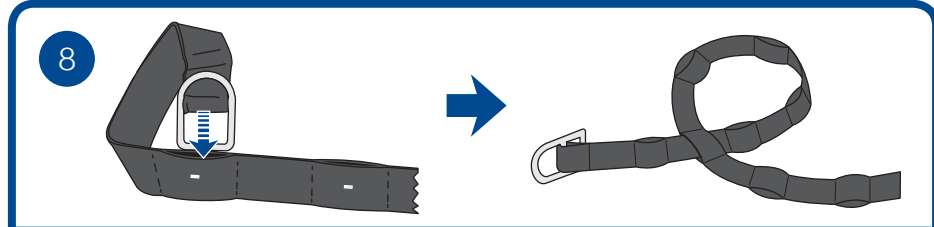
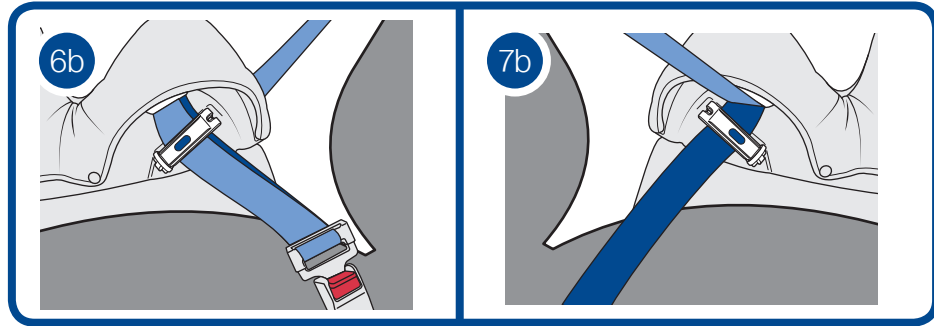
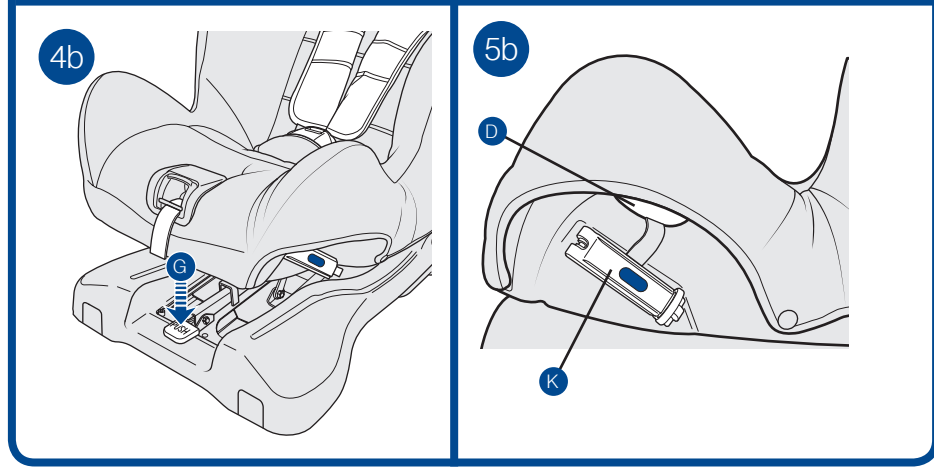
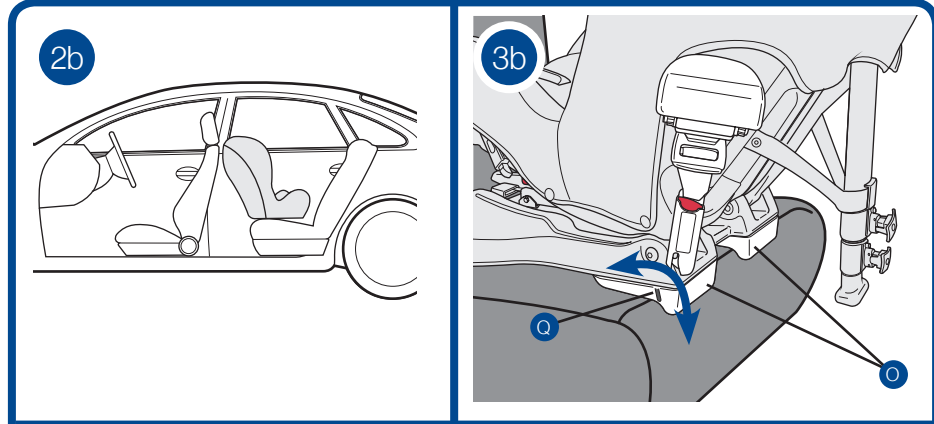
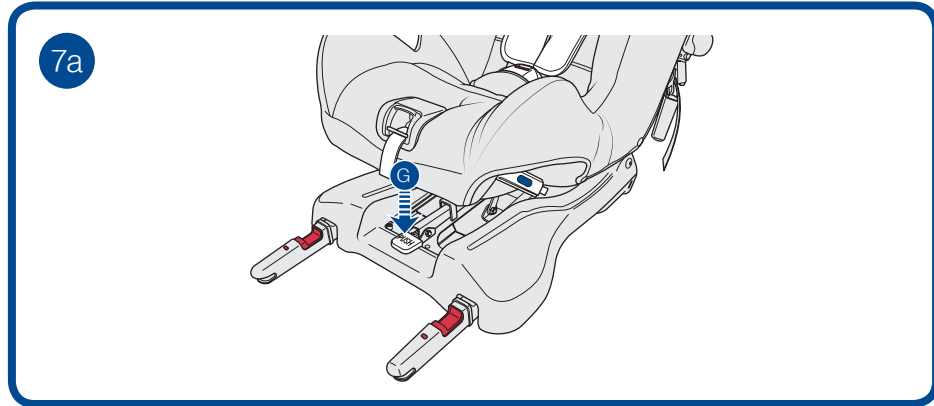
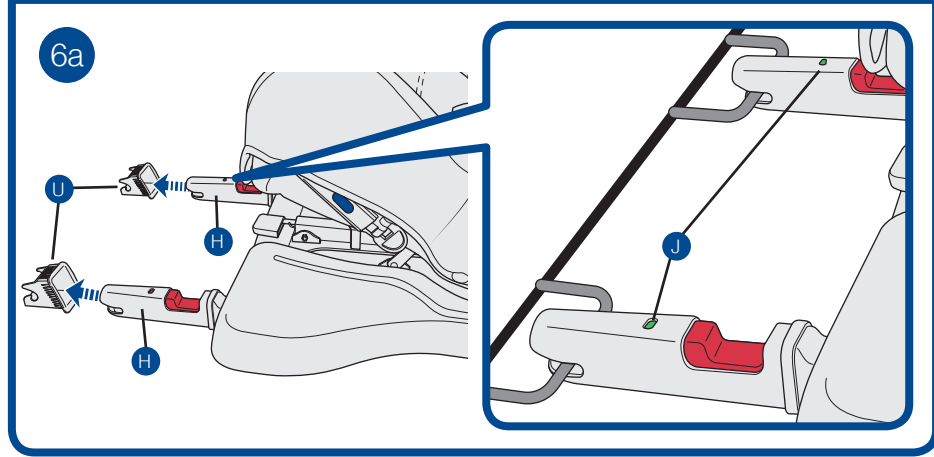
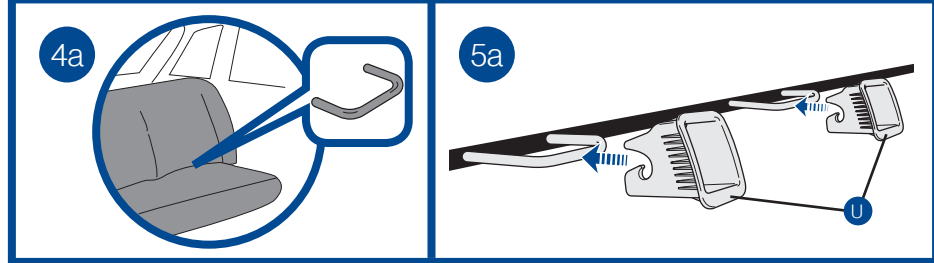
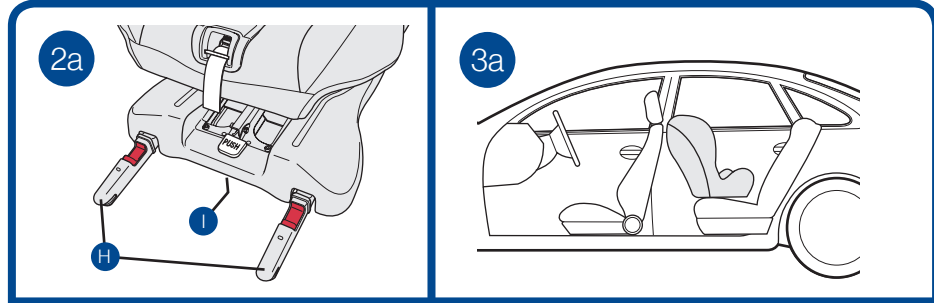
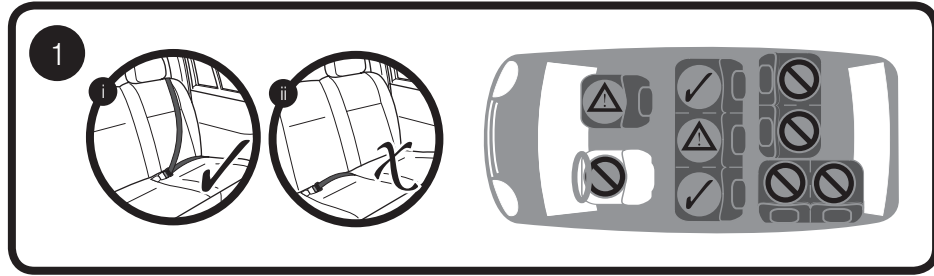
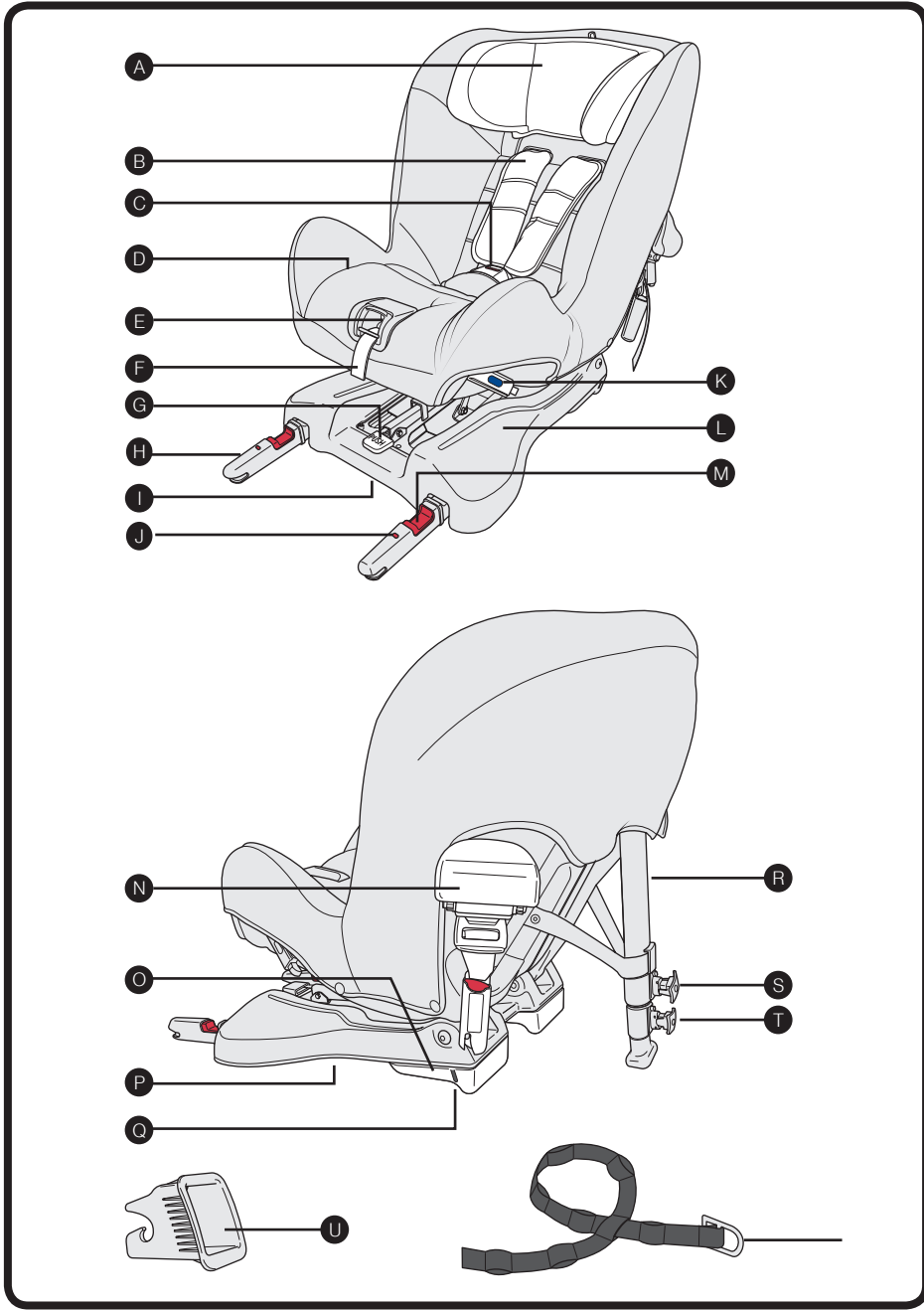
- EN 3-11
- FR 12-20
- ES 21-29
- DE 30-38
- PL 39-47
- SE 48-56
- CZ 57-65

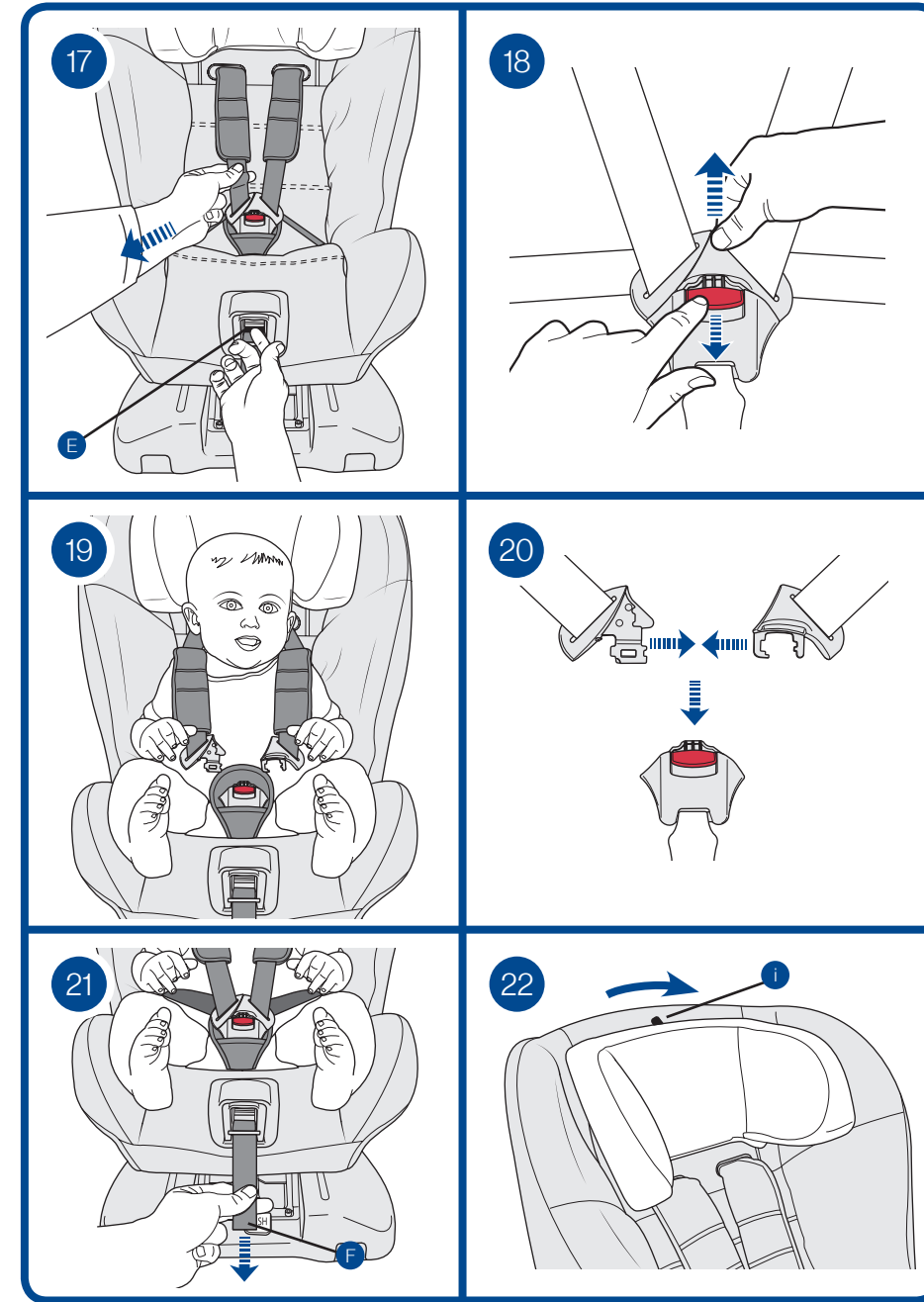
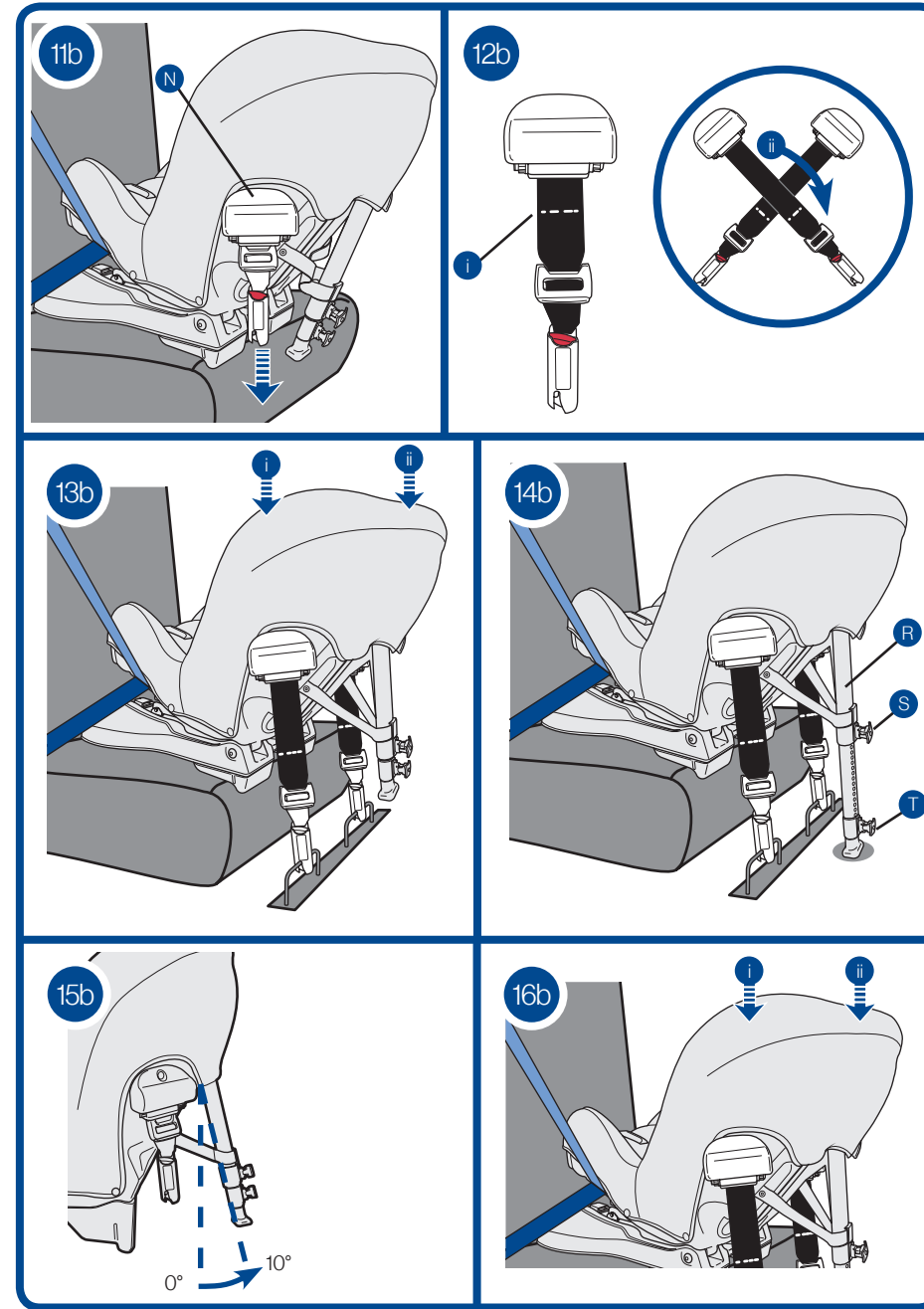
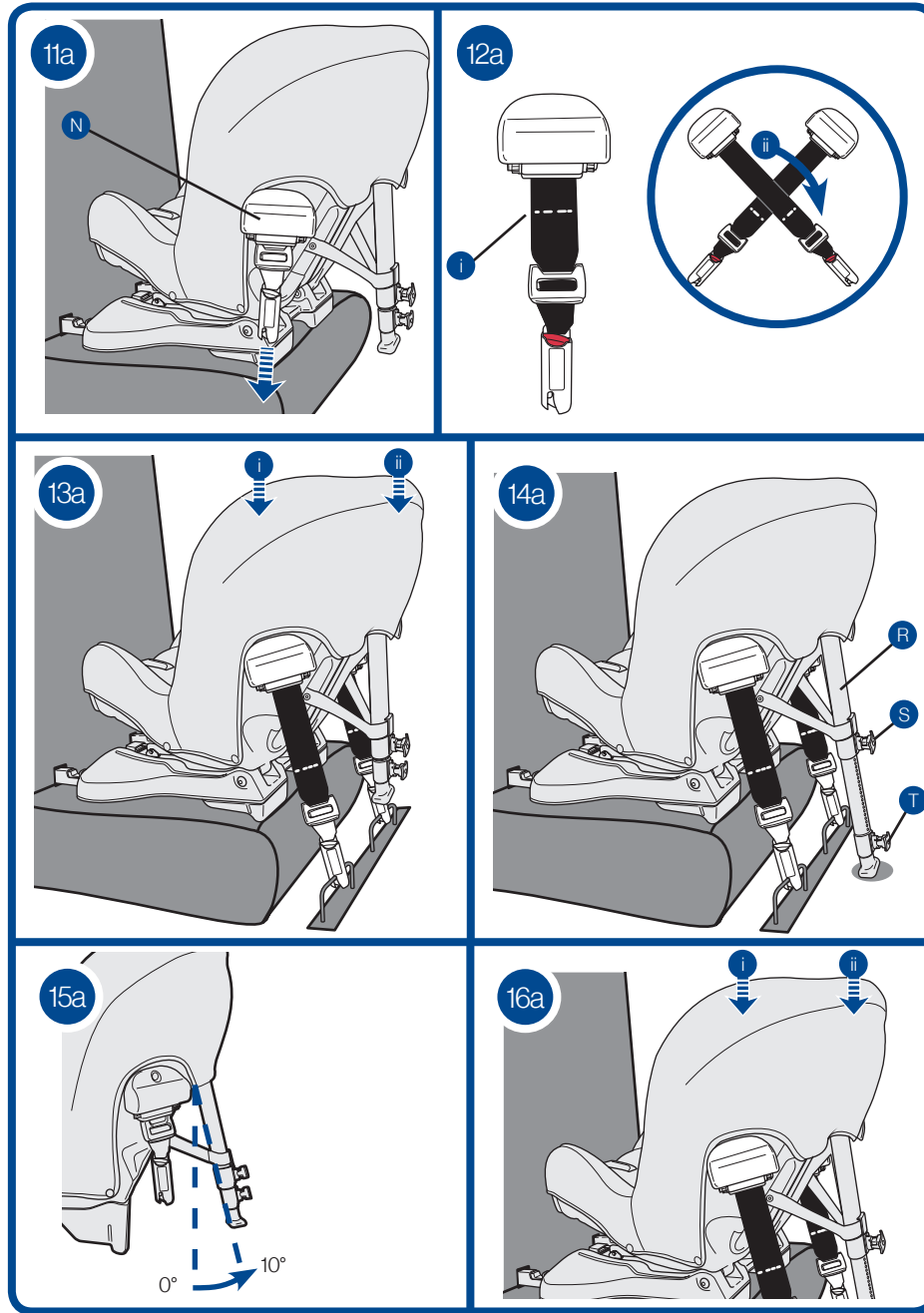
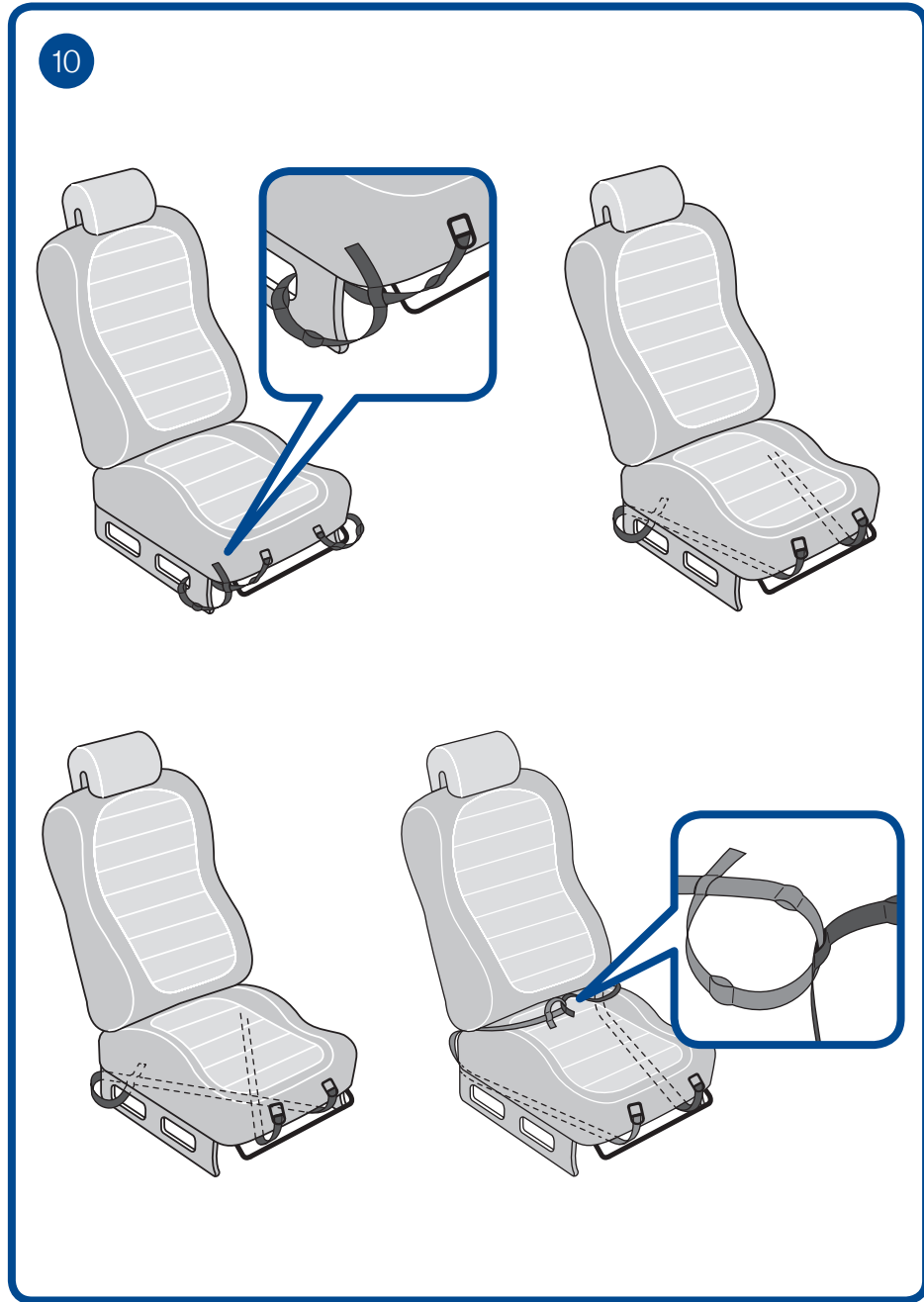
ECE R44/04
ISOFIX C/R3

AXKID



9-18kg /9-25kg





Rekid

Rear-facing 9-18 kg with ISOFIX

Rear-facing 9-25 kg with vehicle seat belt and tethers

Instruction Manual

Important Information

Read this instruction manual before installing the Rekid child restraint in your vehicle. For more information and fitting videos visit www.axkid.com.

Thank you for choosing an Axkid child seat. Our team has over 30 years combined experience within child safety, and we have done our utmost to make the Rekid child seat as safe as possible. The Rekid child restraint is approved according to ECE R44/04, the latest European standards for child safety. To maximise your child's safety it is important that you keep the following in mind:

Read this instruction manual carefully before installing the Rekid child restraint. If in doubt, contact your retailer who can demonstrate a correct installation. An incorrect installation could endanger your child.

Do not use a child restraint in a seating position where an active airbag is fitted. If you still wish to install the Rekid in this location the airbag must be disconnected at an authorised service centre. Some vehicles may be equipped with a switch which allows you to manually switch the airbag off. It is important to always check if the vehicle's indicator light shows that the airbag is turned off.

Extensive research has shown that the risk of serious injury or worse is five times greater for a young child when in a forward facing restraint compared to a rearward-facing restraint. In Rekid your child can travel rearward-facing up to 25kg.

Always use the support leg when installing the Rekid seat. The support leg is a very important safety feature designed to maximise your child's safety in an accident.

Should you have an accident, no matter how small, your child restraint should be replaced. It may have damage that is undetectable and could seriously jeopardize your child's safety. For this reason Axkid do not recommend purchasing second hand child restraints.

Never leave your child unattended in the car.

Ensure any luggage or loose objects are secured in your vehicle as they may cause injuries to passengers in the event of a collision.

Store this instruction manual in the designated pocket (P) on the car seat.

Contents

The Rekid child restraint is suitable for use from approximately six months of age, or from when your child can sit up unsupported, up until the age of six. This child restraint can be installed in two different ways depending on your child's age and size.

Parts	4
Allowed and disallowed positioning of the child car seat	5
Rear-facing 9-18kg with ISOFIX	6-8
This assembly can be used if your vehicle is equipped with ISOFIX brackets and is for children weighing between 9-18kg (20-39lb).	
Rear-facing 9-25kg with vehicle seat belt and tethers	8-11
This is for vehicles that do NOT have ISOFIX brackets. This assembly can be used with the vehicle's 3-point seat belt and is for children weighing between 9-25kg (20-55lb).	
Care and maintenance	11
Warranty	11

Parts

A	Headrest	L	Base
B	Integral harness	M	ISOFIX release button
C	Harness buckle	N	Tether straps
D	Seat belt slot	O	Heels
E	Harness adjuster button	P	Pocket for storage of instruction manual
F	Harness adjustment strap	Q	Indented vertical line
G	Recline adjustment lever	R	Support leg
H	ISOFIX arms	S	Top latch
I	Adjuster for ISOfix	T	Lower latch
J	ISOFIX indicator	U	ISOFIX guides (x2)
K	Belt lock-off	V	Lower anchor straps (x2)

Allowed And Disallowed Positioning Of The Child Car Seat

- 1 The child restraint can be used on any forward facing passenger seat which has ISOFIX brackets or which has a 3-point seat belt (i), so long as there is no active airbag in place. The child restraint cannot be used with a 2-point lap belt (ii).

IMPORTANT: If you wish to install your Rekid in a location where an airbag is fitted, then the airbag must be disconnected at an authorized service centre. Some vehicles may be equipped with a switch which allows you to manually switch the airbag off. It is important to always check if the vehicle's indicator light shows that the airbag is turned off.

WARNING: Never use on a seat with an active airbag

WARNING: Never use on rearward or side facing vehicle seats

WARNING: Air bags are designed for adults and can seriously harm your child in a crash.

Allowed and disallowed positioning of the child car seat.

Front passenger seat (no active airbag)	Yes
Front passenger seat (active airbag)	NO
Forward facing seat with 3-point seat belt	Yes
Seat with 2-point seat belt	NO
Forward facing seat with ISOFIX brackets	Yes
Side facing seats	NO
Rear facing seats	NO



Never install a child restraint in a passenger seat where an active airbag is fitted.



Rear-Facing 9-18 Kg With ISOFIX

Positioning The Child Restraint

- 2a To begin push and hold the adjuster for ISOfix (I). Now you should be able to unfold the ISOfix arms (H).
- 3a The easiest way to lift the Rekid into the vehicle is with its back first. Place the child restraint in the vehicle with the back of the restraint facing the front of the vehicle.

Note: When installing Rekid in the front seat it is possible, but not crucial, for the back of the restraint to have contact with the dashboard.

Attaching The Isofix Fittings

- 4a The ISOfix brackets are located between the joint of the backrest and base of the vehicle's seat.
- 5a The supplied ISOfix-guides (U) may assist you in locating these brackets, and they will also help protecting the vehicle's upholstery.
- 6a Push the ISOfix arms (H) through the guides and clip them onto the brackets. Once there is an audible click and both indicators (J) are green they are properly secured. To remove the Rekid child restraint, hold both of the release buttons (M).
- 7a To adjust the angle of the child restraint, press the recline adjustment lever (G) to select one of the three reclining positions. Always choose the most upright position as possible, however your child must be able to hold their head up on its own, and there should be enough recline to ensure your child's head does not fall forward when sleeping. The rule of thumb is that the older the child grows, the more upright the seat can be installed. Please note that once the installation of the Rekid is complete, it will be somewhat more reclined as it sinks into the vehicle's seat from tightening seat belts and tether straps.



Never install a child restraint in a passenger seat where an active airbag is fitted.



Attaching The Tether Straps

Some vehicles may already be fitted with anchorage points at the base of the front seat rails, or, if installing in the front passenger seat, in front of that seat.

- 8 If your vehicle does not have these anchor points, the supplied lower anchor straps must be used.
- 9 For installation in the back seat, feed the buckle end of the anchor strap through either the rear of the front seat rails, or the hinge of the front seat. The anchoring point needs to be as close to the floor as possible. In doing so you should always insert the buckle of the anchor strap through the closest appropriate slot in the strap to create a slip knot then pull tight. This needs to be repeated on both sides to create two anchor points.
- 10 When installing Rekid in the front passenger seat the lower anchor straps must be attached to the front gliding tracks so the anchor points will be located along the front edge of the passenger seat.
- 11a Pull out the upper tether strap from the belt housing (N) to an appropriate length.
- 12a Check that the white marking on the strap (i) is visible. If not, you can try crossing the straps over (ii) to give them some extra length to enable the white marking to be visible.
- 13a Clip the anchor attachments directly onto the vehicle anchorage points (or lower anchor straps if you have used them). Press down hard on the top of one side (i) of the child restraint then repeat on the other side (ii). When you do this it's important that you really use your full body weight to press down and get the tether straps to really tighten hard. This will give the tether straps their first tightening.
- 14a Unfold the support leg (R) out to its maximum angle. Pull out the top latch (S) to release the upper part of the support leg until it reaches the floor. If the support leg does not reach the floor, repeat with the lower latch (T).
- 15a It is important that you check that the support leg is at an angle over 10° from the back of the seat. You could check this by ensuring that the support leg is further away from the seat than the vertical line.
- 16a Press down on the child restraint from side to side again (i)(ii), the tether straps will be then be automatically tightened.

If you have installed Rekid in the back seat you can now move the front seat to a comfortable position.

Note: The back of the child restraint may, but does not need to be in contact with the back of the front seat.

Placing Your Child In The Seat

- 17 Press the harness adjuster button (E) and pull forward on the shoulder straps (not the shoulder pads) to completely loosen the harness.
- 18 Press the red harness release button on the buckle and unfasten the harness.
- 19 Place your child in the car seat. Put your child's arms in between the shoulder straps so that the straps are hanging over the chest and stomach.
- 20 Pull the shoulder straps together and insert the harness tongues into the crotch buckle.
- 21 Pull the harness adjustment strap (F). It's important that you always pull the harness straight and central when you tighten the adjustment strap. This will tighten the harness and the headrest will automatically slide down to the appropriate height.

Head Support Brake On Headrest

- 22 The headrest on your Rekid is equipped with a head support brake. This can be used if you want to keep the headrest in a fixed position. To activate the head support brake, pull the harness adjustment strap until the headrest is at the desired height, you will hear a faint "click" sound from the headrest as it locks into position. Check that the headrest can not be pulled down any further and activate the headrest brake by moving the lever (i) across to the right.

WARNING: Do not pull up the headrest with the parking brake activated.

Rear-Facing 9-25Kg With Seat Belt & Tethers

Positioning The Child Restraint

- 2b The easiest way to lift the Rekid into the vehicle is with its back first. Place the child restraint in the vehicle with the back of the restraint facing the front of the vehicle.
- 3b The heels (O) should be sitting over the edge of the vehicle seat. The indented vertical line (Q) on the heel should align vertically with the end of the vehicle's seat. If installing in a small vehicle, or if your child does not require extra leg room, you can instead place the heel upon the vehicle's seat this will also achieve a more reclined position.

Note: When installing Rekid in the front seat it is possible, but not crucial, for the back of the restraint to have contact with the dashboard.



Never install a child restraint in a passenger seat where an active airbag is fitted.



4b To adjust the angle of the child restraint, press the recline adjustment lever (G) to select one of the three reclining positions. Always choose the most upright position as possible, however your child must be able to hold their head up on its own, and there should be enough recline to ensure your child's head does not fall forward when sleeping. The rule of thumb is that the older the child grows, the more upright the seat can be installed. Please note that once the installation of the Rekid is complete, it will be somewhat more reclined as it sinks into the vehicle's seat from tightening seat belts and tether straps.

Fastening The Vehicle Seat Belt

5b Open the belt lock-off clips (K) on both sides of the Rekid child restraint. Fully lengthen the seat belt until the lap section of the belt is at least 70-80cm (27-32 inches) long. Feed the seat belt through the seat belt slot (D), between the seat cover and seat body until the belt comes out through the seat belt slot on the other side. If you prefer, you can instead feed the seat belt through the seat belt slot (D), then over the top of the seat belt cover and then through the seat belt slot on the other side.

6b Insert the seat belt tongue into the vehicle's seat belt buckle. Pull the seat belt until all slack is removed along the seat belt route. Secure both the lap and shoulder belt in the lock-off closest to the vehicle's seat belt buckle.

7b In the lock-off on the opposite side, only the lap belt should be secured.

Attaching The Tether Straps

Some vehicles may already be fitted with anchorage points at the base of the front seat rails, or, if installing in the front passenger seat, in front of that seat.

8 If your vehicle does not have these anchor points, the supplied lower anchor straps must be used.

9 For installation in the back seat, feed the buckle end of the anchor strap through either the rear of the front seat rails, or the hinge of the front seat. The anchoring point needs to be as close to the floor as possible. In doing so you should always insert the buckle of the anchor strap through the closest appropriate slot in the strap to create a slip knot then pull tight. This needs to be repeated on both sides to create two anchor points.

10 When installing Rekid in the front passenger seat the lower anchor straps must be attached to the front gliding tracks so the anchor points will be located along the front edge of the passenger seat.

11b Pull out the upper tether strap from the belt housing (N) to an appropriate length.

12b Check that the white marking on the strap (i) is visible. If not, you can try crossing the straps over (ii) to give them some extra length to enable the white marking to be visible.

13b Clip the anchor attachments directly onto the vehicle anchorage points (or lower anchor straps if you have used them). Press down hard on the top of one side (i) of the child restraint then repeat on the other side (ii). When you do this it's important that you really use your full body weight to press down and get the tether straps to really tighten hard. This will give the tether straps their first tightening.

14b Unfold the support leg (R) out to its maximum angle. Pull out the top latch (S) to release the upper part of the support leg until it reaches the floor. If the support leg does not reach the floor, repeat with the lower latch (T).

15b It is important that you check that the support leg is at an angle over 10° from the back of the seat. You could check this by ensuring that the support leg is further away from the seat than the vertical line.

16b Press down on the child restraint from side to side again (i)(ii), the tether straps will be then be automatically tightened.

If you have installed Rekid in the back seat you can now move the front seat to a comfortable position.
Note: The back of the child restraint may, but does not need to be in contact with the back of the front seat.

Placing Your Child In The Seat

17 Press the harness adjuster button (E) and pull forward on the shoulder straps (not the shoulder pads) to completely loosen the harness.

18 Press the red harness release button on the buckle and unfasten the harness.

19 Place your child in the car seat. Put your child's arms in between the shoulder straps so that the straps are hanging over the chest and stomach.

20 Pull the shoulder straps together and insert the harness tongues into the crotch buckle.

21 Pull the harness adjustment strap (F). It's important that you always pull the harness straight and central when you tighten the adjustment strap. This will tighten the harness and the headrest will automatically slide down to the appropriate height.

Head Support Brake On Headrest

22 The headrest on your Rekid is equipped with a head support brake. This can be used if you want to keep the headrest in a fixed position. To activate the head support brake, pull the harness adjustment strap until the headrest is at the desired height, you will hear a faint “click” sound from the headrest as it locks into position. Check that the headrest can not be pulled down any further and activate the headrest brake by moving the lever (i) across to the right.

WARNING: Do not pull up the headrest with the parking brake activated.

Care And Maintenance

The seat cover can be removed and washed in a washing machine at 30° C on the “Gentle Cycle” programme. Do not put the cover in a dryer as this can damage the cover and the padding may separate from the fabric. Visit www.axkid.com to find videos explaining how to remove and attach the cover.

Any plastic parts of Rekid can be cleaned with mild detergent and water. Do not use aggressive chemicals containing solvents etc, as this can cause damage to the plastic and compromise the safety of the child restraint.

All materials used in the Rekid child restraint are recyclable and should be recycled as per your local legislation. Ask your local recycling centre for advice when recycling this product.

Do not make any modifications or alterations to the Rekid child restraint other than those described in this instruction manual. Follow the instructions in this manual carefully. Any repairs must be carried out by the manufacturer or agent.

If the seat cover needs replacing ensure only original products from Axon Kids are used. If other products are used the Rekid’s safety system may be compromised and could lead to severe injury or death in case of an accident.

All materials used have a very high UV-resistance rating. However, UV-light is very aggressive and will ultimately lead to fading of the seat cover. This is not covered by our warranty as it is considered normal wear and tear.

Warranty

The Rekid child restraint is covered by a 24 month warranty from date of purchase. Ensure you save your receipt and bring it to your place of purchase should you have any warranty issues. The warranty does not cover:

- * Normal wear and tear
- * Damage due to incorrect use, neglect or accident
- * If repairs have been carried out by a third party

Rekid

Dos à la route 9-18Kg installé avec le système ISOFIX
Dos à la route 9-25Kg installé avec la ceinture de sécurité

Manuel d' instructions

Information Importantes

Lire le manuel d'utilisation avant d'installer le siège-auto dans votre véhicule, Pour plus d'informations et de videos visiter www.akkid.com

Merci d'avoir choisi un siège-auto Axxkid. Notre équipe a plus de 30 ans d'expérience dans la sécurité des enfants et nous avons fait tout notre possible pour rendre le Rekid siège-auto le plus sûr possible. Le siège-auto Rekid a été approuvé selon la norme ECE R44/04, la dernière norme européenne en matière de sécurité enfant. Pour maximiser la sécurité de votre enfant il est important que vous gardiez à l'esprit les choses suivantes:

Lire attentivement le manuel d'instruction avant d'installer le siège-auto Rekid. Si vous avez un doute n'hésitez pas à contacter votre revendeur qui pourra vous montrer la correcte installation. Une mauvaise mise en place pourrait mettre en danger votre enfant.

Ne pas utiliser un siège-auto dans un véhicule muni d'airbags. Si vous souhaitez tout de même installer le Rekid à cet endroit, les airbags doivent être déconnectés dans un centre agréé. Certains véhicules peuvent être équipés d'un bouton qui vous permet manuellement de désactiver les airbags. Il est important de toujours vérifier si l'indicateur lumineux de votre tableau de bord indique que ceux-ci sont bien désactivés.

De nombreuses études ont montré que le risque de blessures graves ou pire, est cinq fois plus élevé pour un jeune enfant quand il fait face à la route comparé à lorsqu'il se trouve dos à la route. Dans le Rekid votre enfant peut voyager dos à la route jusqu'à 25kg,

Toujours utiliser la jambe de support quand vous installez le siège Rekid. La jambe de support est un élément très important, crée spécialement pour maximiser la sécurité de votre enfant en cas d'accident.

Si vous avez un accident, même sans gravité, votre siège-auto devra être remplacé. Il a pu être endommagé, même si c'est indétectable à l'œil nu, il pourrait sérieusement mettre en péril la sécurité de votre enfant. Pour cette raison Axxkid ne recommande pas l'achat d'un siège-auto d'occasion.

Ne jamais laisser votre enfant sans surveillance dans la voiture.

Assurez-vous que tous les objets ou bagages sont attachés et ne peuvent pas se déplacer dans le véhicule, ils pourraient causer des blessures aux passagers en cas de collision.

Conservez ce manuel d'utilisation dans la poche prévu à cet effet (P)

Sommaire

Le siège-auto Rekid est utilisable à partir d'environ 6 mois ou à partir du moment où l'enfant peut se tenir assis tout seul, jusqu'à 6 ans, Ce siège-auto peut être installé de deux manières différentes suivant l'âge et la taille de l'enfant.

Pièces	13
Positionnement autorisé et interdit du siège-auto	14
Dos à la route 9-18Kg installé avec le système ISOFIX	15-17
Ce système peut être utilisé si votre véhicule est équipé d'accroche ISOFIX (convient aux enfants de 9 à 18 KG).	
Dos à la route 9-25Kg installé avec la ceinture de sécurité	17-19
Ce système est pour les véhicules qui ne sont pas munis d'accroches ISOFIX. Ce siège-auto peut être installé avec une ceinture de sécurité 3 points. (convient aux enfants de 9 à 25 Kg).	
Entretien et maintenance	20
Garantie	20

Pièces

A	Appui tête	L	Base
B	Harnais intégral	M	Bouton pour décrocher les ISOFIX
C	Boucle de harnais	N	Sangles d'attache du siège
D	Insert pour ceinture de sécurité	O	Talons
E	Manette de réglage du harnais	P	Poche de rangement pour le manuel d'instruction
F	Sangle d'ajustement du harnais	Q	Ligne d'indication de la verticale
G	Manette d'inclinaison du siège	R	Jambe de support
H	Bras ISOFIX	S	Loquet supérieur
I	Bouton qui libère les ISOFIX	T	Loquet inférieur
J	Indicateur ISOFIX	U	Guides ISOFIX (x2)
K	Clamps pour ceinture de sécurité	V	Sangles d'ancrage du bas (x2)

Positionnement Autorisé Et Interdit Du Siège-Auto

1 Le siège-auto peut être installé dos à la route sur tout les sièges possédant des boucles ISOFIX ou possédant une ceinture de sécurité à 3 points (i) du moment qu'aucun airbag est actif. Le siège auto ne peut pas être utilisé avec une ceinture ventrale (ii)

IMPORTANT: Si vous souhaitez installer le Rekid dans un véhicule muni d'airbags, les airbags doivent être déconnectés dans un centre agréé. Certains véhicules peuvent être équipés d'un bouton qui vous permet manuellement de désactiver les airbags. Il est important de toujours vérifier si l'indicateur lumineux de votre tableau de bord indique que ceux-ci sont bien désactivés.

ATTENTION : Ne jamais utiliser lorsque l'airbag est active

ATTENTION : Ne jamais utiliser face à la route ou face aux cotes

ATTENTION : Les airbags sont conçu pour les adultes et peuvent gravement blesser votre enfant lors d'un accident

Positionnement autorisé et interdit du siège-auto

Siège passager avant (sans airbags actifs).	Oui
Siège passager avant (airbags actif).	NON
Dos à la route avec une ceinture 3 points.	Oui
Installé sur un siège avec une ceinture ventrale.	NON
Dos à la route avec les accroches ISOFIX.	Oui
Installé de côté.	NON
Installé face à la route.	NON



Ne jamais installer un siège-auto sur un siège passager où un airbag est activé.



Dos À La Route 9-18Kg Installé Avec Le Système ISOFIX

Positionner Le Siège-Auto

- 2a Pour commencer pousser et appuyer sur le bouton pour libérer les ISOFIX (I) Maintenant vous devriez pouvoir déplier les bras ISOFIX (H).
- 3a La façon la plus simple d'installer le Rekid dans le véhicule est, de faire rentrer le dos du siège en premier.

Note: Quand vous installez le Rekid sur le siège avant il est possible, mais pas obligatoire que le dos du siège soit en contact avec le tableau de bord.

Attacher Avec Le Système ISOFIX

- 4a Les attaches ISOFIX se situent entre l'assise et le dossier du siège du véhicule
- 5a Les guides ISOFIX inclus (U) peuvent vous aider à localiser les accroches ISOFIX et éviter que le siège -auto n'abime le revêtement du siège du véhicule.
- 6a Insérer les bras ISOFIX (H) à travers les guides et les accrocher aux accroches du siège, Une fois que vous avez entendu un clic et que les deux indicateurs (J) sont vert, les ISOFIX sont sécurisés.
- 7a Pour ajuster l'angle du siège, appuyer sur la manette d'inclinaison (G) pour sélectionner une des trois positions d'inclinaison disponible. Choisissez toujours la position la plus droite possible. Cependant votre enfant doit être capable de tenir sa tête par lui même, mais doit être suffisamment incliné pour ne pas que sa tête tombe lorsqu'il dort. En règle générale plus l'enfant grandit plus le siège peut être installé droit, Merci de noter qu'une fois l'installation du Rekid terminée, une fois les sangles serrées, le siège s'enfoncera dans le siège du véhicule et se retrouvera un peu plus incliné.



Ne jamais installer un siège-auto sur le siège passager où un airbag est activé.



Attacher Les Sangles D'attache Du Siège

Certains véhicules peuvent déjà être équipés de point d'ancrage à la base des rails du siège avant ou si installé à l'avant, à l'avant du siège.

- 8 Si votre véhicule ne possède pas ces points d'ancrage, les sangles d'attaches du bas inclus, doivent être utilisées.
- 9 Pour l'installation sur le siège arrière, accrocher les sangles d'ancrage du bas autour du rail arrière du siège avant. Les points d'ancrages doivent être aussi près du sol que possible, pour se faire, utiliser toujours l'encoche la plus proche pour créer un nœud coulant puis tirer fort afin de le serrer. Cette opération doit être effectuée des deux côtés du siège pour créer deux points d'ancrage.
- 10 Lorsque vous installer le Rekid sur le siège avant, les sangles d'ancrage du bas doivent être attachées à l'avant des rails du siège avant.
- 11a Sortir les sangles d'attaches du siège (N) jusqu'à une longueur appropriée.
- 12a Vérifier que la marque blanche (i) est visible, si ce n'est pas le cas, croiser les sangles (ii) pour leur donner plus de longueur et ainsi voir la marque blanche.
- 13a Accrocher directement les sangles du siège sur les points d'ancrage ou sur les sangles d'ancrage du bas (si vous devez les utiliser). Appuyer fort sur le côté du siège-auto (i) répéter ensuite la même opération de l'autre côté du siège-auto (ii) pour ainsi resserrer les sangles au maximum il est important d'utiliser tout le poids de son corps.
- 14a Déplier la jambe de support (R) en tirant sur le loquet du haut (S), la première partie de la jambe va se déplier jusqu'à ce qu'elle touche le sol. Si la jambe n'atteint pas le sol, tirer sur le loquet du bas (T) et déplier la deuxième partie de la jambe.
- 15a Il est important de faire attention à ce que la jambe de support fasse un angle supérieur à 10° avec le dos du siège-auto. Vous pouvez vérifier cela en vous assurant que la jambe de support est plus loin que la verticale qu'elle forme avec le siège.
- 16a Appuyer encore fortement sur les côtés en haut du siège (i)(ii) pour sécuriser les attaches, qui devraient maintenant être resserrées automatiquement.

Si vous avez installé Rekid sur le siège arrière du véhicule vous pouvez maintenant déplacer le siège avant jusqu'à une position confortable. Le dos du siège-auto peut être en contact avec le dos du siège avant, mais pas nécessairement.

Installer L'enfant Dans Le Siège-Auto

- 17 Appuyer sur la manette de réglage du harnais (E) et détendre les sangles du harnais.
- 18 Appuyer sur le bouton rouge sur la boucle du harnais pour le détacher.
- 19 Installer l'enfant dans le siège , passer ses bras dans le harnais, jusqu'aux épaules, afin que toutes les sangles se rejoignent au niveau de sa poitrine et de son ventre.
- 20 Relier les deux embouts des sangles du harnais et insérez les dans la boucle.
- 21 Tirer sur la sangle d'ajustement du harnais (F). Il est important de toujours tirer sur la manette de réglages lorsque les sangles sont droites et au milieu. En tirant sur la manette l'appui tête va automatiquement descendre à la hauteur appropriée.

Loquet De Sécurité Sur L'appui Tête

- 22 L'appui tête sur votre Rekid est équipé d'un loquet de sécurité. Cela peut être utilisé pour fixer l'appui tête dans une position. Pour activer ce loquet de sécurité, tirer sur le harnais jusqu'à ce que l'appui tête soit à la hauteur désirée, vous entendrez un " clic" lorsque la position sera sécurisée, assurez vous que l'appui tête ne peut pas redescendre. Activer le loquet de sécurité (i) en le tournant vers la droite.

ATTENTION: ne pas tirer sur l'appui tête lorsque le loquet de sécurité est activé.

Dos À La Route : 9-25 Kg Avec Ceinture De Sécurité Et Sangles D'attache

Installer Le Siège-Auto

- 2b La façon la plus simple d'installer le Rekid dans le véhicule est, de faire rentrer le dos du siège en premier,
- 3b Les talons du siège-auto (O) doivent être sur le rebord du siège du véhicule. La ligne indicative de la verticale (Q) doit être alignée avec le rebord du siège, s'il est installé dans un petit véhicule, ou si votre enfant n'a pas besoin de beaucoup de place pour ses jambes, vous pouvez à la place ,mettre les talons du siège -auto sur l'assise ce qui inclinera un peu plus le siège.

Note: Lorsqu'il est installé à l'avant ,le siège Rekid peut toucher le tableau de bord.



Ne jamais installer un siège-auto sur le siège passager où un airbag est activé.



- 4b Pour ajuster l'angle du siège, appuyer sur la manette d'inclinaison (G) pour sélectionner une des trois positions d'inclinaison disponible. Choisissez toujours la position la plus droite possible, Cependant votre enfant doit être capable de tenir sa tête par lui-même, mais suffisamment incliné pour ne pas que sa tête tombe lorsqu'il dort. En règle générale plus l'enfant grandit plus le siège peut être installé droit, Merci de noter qu'une fois l'installation du Rekid terminée, une fois les sangles serrées, le siège s'enfoncera dans le siège du véhicule et se retrouvera un peu plus incliné.

Attacher La Ceinture De Sécurité

- 5b Ouvrez les clamps des deux côtés du Rekid (K) Tirez sur la ceinture de sécurité jusqu'à ce que la partie ventrale de la ceinture fasse au moins 70-80 cm de long. Insérer la ceinture de sécurité par l'insert pour ceinture de sécurité (D) , à travers l'ouverture, entre la housse et l'armature du siège, jusqu'à l'ouverture de l'autre côté. Si vous préférez vous pouvez aussi faire passer la ceinture par dessus la housse et la faire passer par l'insert pour ceinture de sécurité de l'autre côté.

- 6b Insérer la boucle de la ceinture de sécurité à l'attache habituelle. Resserrer la ceinture de sécurité du véhicule . Du côté de la boucle d'attache de la ceinture de sécurité, sécuriser la ceinture ventrale et diagonale en fermant le clamp prévu à cet effet.

- 7b De l'autre côté ne sécuriser que la ceinture ventrale avec le clamp

Attacher Les Sangles D'attache Du Siège

Certains véhicules peuvent déjà être équipé de point d'ancrage à la base des rails du siège avant ou si installé à l'avant, à l'avant du siège.

- 8 Si votre véhicule ne possède pas ces points d'ancrage , les sangles d'attaches du bas inclus, doivent être utilisées.

- 9 Pour l'installation sur le siège arrière ,accrocher les sangles d'ancrage du bas autour du rail arrière du siège avant. Les points d'ancrages doivent être aussi près du sol que possible, pour se faire, utiliser toujours l'encoche la plus proche pour créer un nœud coulant puis tirer fort afin de le serrer. Cette opération doit être effectuée des deux côtés du siège pour créer deux points d'ancrage.

- 10 Lorsque vous installez le Rekid sur le siège avant, les sangles d'ancrage du bas doivent être attachées à l'avant des rails du siège avant.

- 11b Sortir les sangles d'attaches du siège (N) jusqu'à une longueur appropriée.

- 12b Verifier que la marque blanche (i) est visible, si ce n'est pas le cas, croiser les sangles (ii) pour leur donner plus de longueur et ainsi voir la marque blanche.

- 13b Accrocher directement les sangles sur les points d'ancrage ou sur les sangles du bas (si vous devez les utiliser) Appuyer fort sur le côté du siège-auto (i) répéter ensuite la même opération de l'autre côté du siège-auto (ii) pour ainsi resserrer les sangles au maximum il est important d'utiliser tout le poids de son corps.
- 14b Déplier la jambe de support (R) en tirant sur le loquet du haut (S), la première partie de la jambe va se déplier jusqu'à ce qu'elle touche le sol. Si la jambe n'atteint pas le sol, tirer sur le loquet du bas (T) et déplier la deuxième partie de la jambe.
- 15b Il est important de faire attention à ce que la jambe de support fasse un angle supérieur à 10° avec le dos du siège-auto. Vous pouvez vérifier cela en vous assurant que la jambe de support est plus loin que la verticale qu'elle forme avec le siège .
- 16b Appuyer encore fortement sur les côtés en haut du siège (i)(ii) pour sécuriser les attaches, qui devraient maintenant être resserrées automatiquement.

Si vous avez installé Rekid sur le siège arrière du véhicule vous pouvez maintenant déplacer le siège avant jusqu'à une position confortable.

Note: Le dos du siège-auto peut être en contact avec le dos du siège avant, mais pas nécessairement .

Installer L'enfant Dans Le Siège-Auto

- 17 Appuyer sur la manette de réglage du harnais (E) et détendre les sangles du harnais.
- 18 Appuyer sur le bouton rouge sur la boucle du harnais pour le détacher.
- 19 Installer l'enfant dans le siège , passer ses bras dans le harnais, jusqu'aux épaules, afin que toutes les sangles se rejoignent au niveau de son ventre.
- 20 Relier les deux embouts des sangles du harnais et insérez les dans la boucle.
- 21 Tirer sur la sangle d'ajustement du harnais (F). Il est important de toujours tirer sur la manette de réglages lorsque les sangles sont droites et au milieu. En tirant sur la manette l'appui tête va automatiquement descendre à la hauteur appropriée.

Loquet De Sécurité Sur L'appui Tête

- 22 L'appui tête sur votre Rekid est équipé d'un loquet de sécurité. Cela peut être utilisé pour fixer l'appui tête dans une position. Pour activer ce loquet de sécurité, tirer sur le harnais jusqu'à ce que l'appui tête soit à la hauteur désirée, vous entendrez un " clic" lorsque la position sera sécurisée, assurez vous que l'appui tête ne peut pas redescendre. Activer le loquet de sécurité (i) en le tournant vers la droite.

ATTENTION: ne pas tirer sur l'appui tête lorsque le loquet de sécurité est activé

Entretien Et Maintenance

La housse du siège est amovible et peut être lavée en machine à 30 degrés en cycle court. Ne pas mettre la housse au sèche-linge cela pourrait abimer le tissu et le rembourrage. Sur www.axkid.com vous pourrez trouver des vidéos vous expliquant comment enlever et remettre la housse.

Toutes les parties en plastique de Rekid peuvent être nettoyées avec de l'eau et du savon doux. Ne pas utiliser des produits chimiques abrasifs contenant des solvants etc. car cela peut causer des dommages sur le plastique et compromettre la sécurité du siège-auto.

Tous les matériaux du Rekid sont recyclables et devront être recyclés selon votre législation locale. Pour plus d'informations sur le recyclage de ce produit, demandez conseil à votre centre de tri.

Ne pas modifier ou altérer le siège-auto Rekid. Suivez les instructions du manuel avec intérêt. Toutes les réparations devront être effectuées par le fabricant ou par un agent,

Si le siège a besoin d'être réparé, assurez-vous qu'uniquement des produits originaux Axon Kids sont utilisés. Si d'autres produits sont utilisés le système de sécurité du Rekid pourrait être compromis et pourrait amener à de grave blessure voir la mort en cas d'accident.

Tous les matériaux utilisés ont une haute résistance aux rayons UV, cependant les rayons étant très agressifs il se peut qu'ils fassent déteindre le tissu, ceci n'est pas couvert par la garantie et est considéré comme l'usure normale du produit.

Garantie

Le Rekid est garantie 24 mois à partir de la date d'achat. Assurez-vous de garder la facture et si besoin, rapporter là ou vous avez acheté le produit si jamais vous avez un problème couvert par la garantie. La garantie ne couvre pas:

* l'usure normale

* les dommages causés par un usage incorrecte, négligent ou par un accident

* si des réparations ont été effectuées par une 3ème partie

Rekid

Mirando hacia atrás 9-18 kg con ISOFIX
Mirando hacia atrás 9-25 kg con el cinturón de seguridad del vehículo y correas de sujeción

Manual de Instrucciones

Información Importante

Lea atentamente este manual de instrucciones antes de instalar la silla de seguridad infantil Rekid en su vehículo. Para más información y videos sobre la instalación, visite www.axkid.com.

Gracias por elegir una silla de seguridad infantil Axkid. El equipo que ha desarrollado Rekid tiene más de 30 años de experiencia en productos de seguridad infantil, y hemos puesto toda esa experiencia y todo nuestro esfuerzo en hacer la silla de seguridad Rekid la más segura posible. La silla Rekid está testada y certificada según la norma ECE R44/04, la más reciente normativa europea sobre seguridad infantil. Para maximizar la seguridad de su hijo, recuerde lo siguiente:

Lea atentamente este manual de instrucciones antes de instalar la silla Rekid. Si tiene cualquier duda, contacte con su tienda, donde le asesorarán para una correcta instalación. Una instalación incorrecta puede poner en peligro a su hijo.

Nunca instale la silla de seguridad en el asiento de un vehículo con un airbag activado. Si quiere instalar Rekid de todas formas, el airbag debe ser desconectado por un servicio técnico autorizado, o si su vehículo está equipado con el interruptor que permite desconectar el airbag manualmente, use la llave para desconectarlo. Es importante comprobar siempre que el indicador luminoso del vehículo muestre que el airbag está desconectado.

Numerosas investigaciones han demostrado que el riesgo de sufrir lesiones graves para un niño pequeño es cinco veces mayor cuando va sentado en una silla de seguridad mirando hacia adelante, en comparación a ir sentado mirando hacia atrás. En la silla Rekid su hijo puede viajar mirando hacia atrás hasta los 25 kg. de peso.

Use siempre la pata de apoyo al instalar y usar la silla Rekid. La pata de apoyo es un elemento de seguridad muy importante, diseñada para maximizar la seguridad de su hijo en caso de accidente.

En caso de accidente de tráfico, por pequeño que sea, sustituya siempre la silla de seguridad por una nueva. La silla podría sufrir algún daño que no se detecte a simple vista, y de ese modo poner seriamente en peligro la seguridad de su hijo. Por esta razón Axkid no recomienda adquirir sillas de seguridad de segunda mano.

Nunca deje al niño solo desatendido en el vehículo.

Asegúrese de que cualquier equipaje o carga que lleve en el vehículo quedan firmemente sujetos. Así evitará lesiones al niño y a los demás pasajeros en caso de colisión.

Guarde este manual de instrucciones en el bolsillo (P) destinado a este fin en la parte inferior de la silla Rekid.

Índice

La silla de seguridad infantil Rekid puede usarse a partir de los seis meses de edad del niño, o desde que el niño puede sentarse solo sin apoyo, hasta la edad de seis años aproximadamente. Esta silla de seguridad puede ser instalada de dos maneras diferentes, dependiendo de la edad y la altura del niño.

Partes	22
Instalación correcta e incorrecta de la silla de seguridad	23
Mirando hacia atrás 9-18 kg con ISOFIX	24-26
Axkid recomienda esta instalación si su vehículo está equipado con sistemas de sujeción ISOFIX y su hijo pesa entre 9-18 kg.	
Mirando hacia atrás 9-25 kg con el cinturón de seguridad del vehículo y correas de sujeción	26-29
Axkid recomienda esta instalación cuando el vehículo no tiene sistemas de sujeción ISOFIX. En este caso, Rekid se instala con el cinturón de seguridad de tres puntos del vehículo, cuando el niño pesa entre 9-25 kg.	
Cuidado y mantenimiento	29
Garantía	29

Partes

A	Reposacabezas	L	Base
B	Arnés interno de 5 puntos	M	Botón para soltar ISOFIX
C	Broche del arnés interno	N	Sistema de sujeción por medio de correas
D	Ranura para el cinturón de seguridad	O	Alzas
E	Palanca de ajuste del arnés interno de 5 puntos	P	Bolsillo para guardar el manual de instrucciones
F	Correa de ajuste del arnés interno de 5 puntos	Q	Señal de línea vertical
G	Palanca de ajuste de la inclinación de la silla de seguridad	R	Pata de apoyo
H	Brazos del sistema de sujeción ISOFIX	S	Botón superior de ajuste de la pata de apoyo
I	Palanca de ajuste para ISOFIX	T	Botón inferior de ajuste de la pata de apoyo
J	Indicador ISOFIX	U	Manguitos de guía para el montaje con ISOFIX (x2)
K	Pinza de sujeción del cinturón de seguridad	V	Correas de sujeción inferiores (x2)

Instalación Correcta E Incorrecta De La Silla De Seguridad

1 Rekid puede usarse mirando hacia atrás en cualquier asiento del vehículo que tenga ISOFIX o cinturón de seguridad de tres puntos (i), y el airbag debe estar siempre desactivado. No usar Rekid con un cinturón de seguridad de dos puntos (ii).

IMPORTANTE: Si desea instalar Rekid en un asiento con airbag, el airbag debe ser desconectado por un servicio técnico autorizado. Algunos vehículos están equipados con un interruptor que permite desconectar el airbag manualmente. Es importante comprobar siempre que el indicador luminoso del vehículo muestre que el airbag está desconectado.

ADVERTENCIA: No instale nunca la silla de seguridad en un asiento del vehículo con el airbag activado.
ADVERTENCIA: No instale nunca la silla de seguridad en asientos que estén mirando en sentido contrario o de lado.

ADVERTENCIA: Los airbags están diseñados para los adultos, y pueden lesionar gravemente al niño en caso de accidente.

Instalación correcta e incorrecta de la silla de seguridad Rekid:

Asiento delantero o del copiloto (airbag desconectado)	NO / Sí*
Asiento delantero o del copiloto (airbag conectado)	NO*
Asientos traseros izquierdo y derecho (con ISOFIX)	Sí
Asiento trasero central (con ISOFIX)	Sí
Asiento trasero central (con cinturón de seguridad de 3 puntos)	Sí
Asiento trasero central (con cinturón de seguridad de 2 puntos)	NO
Asientos mirando de lado	NO
Asientos mirando hacia atrás	NO

* El Reglamento General de Circulación en España, en su artículo 117, establece la prohibición de circular con menores de estatura igual o inferior a 135 centímetros situados en los asientos delanteros del vehículo, salvo excepciones.



Nunca instale una silla de seguridad en un asiento del vehículo que tenga el airbag activado.



Mirando Hacia Atrás 9-18 Kg Con ISOFIX

Cómo Instalar La Silla De Seguridad Rekid

- 2a Para comenzar, presione y mantenga presionada la palanca de ajuste para ISOFIX (I). Ahora podrá desplegar los brazos para ISOFIX (H).
- 3a La manera más fácil de instalar la silla Rekid en el vehículo es metiendo primero el respaldo. Coloque la silla Rekid en el asiento del vehículo de forma que el respaldo de Rekid mire hacia la parte delantera del vehículo.

Cómo Instalar Los Brazos De ISOFIX

- 4a Los dos manguitos de guía para ISOFIX están situados en el recodo entre el respaldo y el asiento del vehículo.
- 5a Los manguitos ISOFIX extra (U) suministrados con la silla Rekid pueden ayudarle a encontrar los enganches de ISOFIX, y también protegen la tapicería del vehículo.
- 6a Inserte y empuje los brazos ISOFIX (H) en los manguitos y fíjelos en los enganches para ISOFIX. Cuando oiga un "clic" y ambos indicadores ISOFIX (J) estén de color verde, la instalación será correcta. Si quiere quitar la silla de seguridad Rekid, mantenga pulsados ambos botones para soltar ISOFIX (M).
- 7a Para ajustar el ángulo de inclinación de Rekid, presione la palanca de ajuste de inclinación (G) y elija una de las tres posiciones de inclinación. El ángulo de inclinación debe ser el más vertical posible en todo momento, siempre que el niño pueda sujetar su cabeza por sí solo, y la inclinación debe ser suficiente para que la cabeza del niño no caiga hacia adelante si se queda dormido. La regla general es que cuanto mayor es el niño, más verticalidad puede tener la silla de seguridad. Tenga en cuenta que la silla se inclinará ligeramente al instalarla y hundirse en el asiento del vehículo cuando la sujetamos con las correas de sujeción.



Nunca instale una silla de seguridad en un asiento del vehículo que tenga el airbag activado.



Cómo Instalar Las Correas De Sujeción Inferiores (Incluidas Al Comprar Rekid)

Algunos vehículos traen de serie puntos de anclaje en los rieles de los asientos delanteros.

- 8 Si su vehículo no trae de serie esos puntos de anclaje, debe usar las correas de sujeción inferiores suministradas con Rekid, para crear los puntos de anclaje.
- 9 Si instala Rekid en el asiento trasero del vehículo, inserte el broche de la correa de sujeción bien en la parte trasera de los rieles de los asientos delanteros, bien en el recodo entre el respaldo y el asiento delantero. El punto de anclaje debe estar lo más cerca posible del suelo. Luego, inserte el broche de la correa por la abertura lateral más cercana en la propia correa, para hacer un nudo corredizo, y tire firmemente. Debe repetir esto en ambos lados, para crear dos puntos de anclaje.
- 10 No aplicable en España
- 11a Tire de la correa de sujeción superior (N) hasta obtener la longitud apropiada.
- 12a Compruebe que las marcas blancas en las correas (i) estén visibles. Si no puede ver las marcas blancas, pruebe a cruzar las correas (ii) para darles longitud adicional, y así poder ver dichas marcas blancas.
- 13a Enganche las correas de sujeción superiores directamente en los dispositivos de anclaje que el vehículo trae de serie (o en las correas de sujeción inferiores si las va a usar). Presione fuertemente la silla hacia abajo apoyándose en la parte superior de la silla, primero en un lado (i) y luego en el otro lado (ii). Al hacer esto, es importante que eche todo el peso de su cuerpo sobre la silla, para que las correas se tensen automáticamente todo lo posible. Esta es la primera acción para tensar las correas de sujeción superiores.
- 14a Despliegue la pata de apoyo (R) hasta su máxima longitud. Mueva el botón superior de ajuste (S) para desbloquear la parte superior de la pata de apoyo y extiéndala hasta que toque el suelo del vehículo. Si la pata de apoyo no llega al suelo, repita la operación con el botón inferior de ajuste (T).
- 15a Es importante comprobar que el ángulo de la pata de apoyo respecto al respaldo de Rekid es superior a 10°. Puede comprobarlo asegurándose de que la pata de apoyo esté más alejada del asiento del vehículo que la señal de línea vertical.
- 16a Vuelva a presionar Rekid hacia abajo y en ambos lados (i)(ii), para que las correas se terminen de tensar automáticamente.

Si ha instalado Rekid en el asiento trasero del vehículo, ahora puede mover el asiento delantero del piloto o del copiloto hasta una posición cómoda.

Nota: Es posible, pero no necesario, que al instalar Rekid en el asiento trasero del vehículo, el respaldo de Rekid toque el respaldo del asiento delantero.

Cómo Sentar Al Niño En La Silla Rekid

- 17 Presione la palanca de ajuste del arnés interno (E) y tire de los tirantes hacia delante (no de las almohadillas para hombros), para soltar el arnés completamente.
- 18 Presione el botón rojo del broche del arnés interno (i) y desabroche el arnés.
- 19 Siente al niño en la silla de seguridad Rekid. Coloque los brazos del niño entre los tirantes de los hombros, de modo que los tirantes cuelguen sobre su pecho y estómago.
- 20 Junte los tirantes de los hombros y abróchelos en el broche del arnés, entre las piernas del niño.
- 21 Tire de la correa de ajuste del arnés interno (F). Es importante que al tensarla, siempre tire de esta correa en línea recta y horizontal. Esto hará que el arnés se tense y el reposacabezas baje automáticamente hasta la altura apropiada.

Freno Del Reposacabezas

- 22 El reposacabezas de su silla de seguridad Rekid viene equipado con un freno. Puede usar el freno si quiere mantener fijo el reposacabezas a una determinada altura. Para activar el freno, tire de la correa de ajuste del arnés interno hasta que el reposacabezas quede a la altura deseada, entonces oírá un "click" en el reposacabezas que significará que este ha quedado bloqueado en esa posición. Compruebe que el reposacabezas no puede bajar más, y active el freno moviendo la palanca (i) en el reposacabezas hacia la derecha.

ADVERTENCIA: Nunca suba el reposacabezas con el freno activado.

Mirando Hacia Atrás 9-25 Kg Con El Cinturón De Seguridad Del Vehículo Y Correas De Sujeción

Cómo Instalar La Silla De Seguridad Rekid

- 2b La manera más fácil de instalar la silla Rekid en el vehículo es metiendo primero el respaldo. Coloque la silla Rekid en el asiento del vehículo de forma que el respaldo de Rekid mire hacia la parte delantera del vehículo.
- 3b Las alzas (O) de la silla de seguridad deben estar apoyadas sobre el borde del asiento del vehículo. La señal de línea vertical (Q) del alza debe alinearse verticalmente con el extremo del asiento del vehículo. Si usted tiene un vehículo pequeño, o si su hijo es aún pequeño y no necesita espacio adicional para las piernas, puede instalar Rekid con las alzas encima del asiento del vehículo, lo cual le permitirá además reclinar la silla un poco más.



Nunca instale una silla de seguridad en un asiento del vehículo que tenga el airbag activado.



4b Para ajustar el ángulo de inclinación de Rekid, presione la palanca de ajuste de inclinación (G) y elija una de las tres posiciones de inclinación. El ángulo de inclinación debe ser el más vertical posible en todo momento, siempre que el niño pueda sujetar su cabeza por sí solo, y la inclinación debe ser suficiente para que la cabeza del niño no caiga hacia adelante si se queda dormido. La regla general es que cuanto mayor es el niño, más verticalidad puede tener la silla de seguridad. Tenga en cuenta que la silla se inclinará ligeramente al instalarla y hundirse en el asiento del vehículo cuando la sujetamos con las correas de sujeción.

Cómo Abrochar El Cinturón De Seguridad Del Vehículo

5b Abra las pinzas de sujeción del cinturón de seguridad (K) a ambos lados de la silla Rekid. Tire del cinturón de seguridad hasta que la cinta tenga como mínimo 70-80 cm. de longitud. Pase el cinturón de seguridad por la ranura para el cinturón de seguridad (D) y empujelo de un lado a otro por debajo de la tela, en el hueco entre la funda de tela y el chasis de la silla Rekid, hasta que salga por la otra ranura para el cinturón de seguridad en el otro lado. Si lo prefiere, puede tirar del cinturón de seguridad y pasarlo de un lado a otro por encima de la tela, hasta llegar a la otra ranura para el cinturón de seguridad en el otro lado (D).

6b Abroche el cinturón de seguridad. Tire con fuerza del cinturón de seguridad para que quede tenso y no quede flojo ningún tramo del cinturón. A continuación sujete ambos, el cinturón de cadera y el cinturón de hombro, con la pinza de sujeción más cercana al broche del cinturón de seguridad del vehículo.

7b En la pinza de sujeción del lado contrario sólo tiene que sujetar el cinturón de cadera.

Cómo Instalar Las Correas De Sujeción Inferiores (Incluidas Al Comprar Rekid)

Algunos vehículos traen de serie puntos de anclaje en los rieles de los asientos delanteros.

8 Si su vehículo no trae de serie esos puntos de anclaje, debe usar las correas de sujeción inferiores suministradas con Rekid, para crear los puntos de anclaje.

9 Si instala Rekid en el asiento trasero del vehículo, inserte el broche de la correa de sujeción bien en la parte trasera de los rieles de los asientos delanteros, bien en el recodo entre el respaldo y el asiento delantero. El punto de anclaje debe estar lo más cerca posible del suelo. Luego, inserte el broche de la correa por la abertura lateral más cercana en la propia correa, para hacer un nudo corredizo, y tire firmemente. Debe repetir esto en ambos lados, para crear dos puntos de anclaje.

10 No aplicable en España

11b Tire de la correa de sujeción superior (N) hasta obtener la longitud apropiada.

12b Compruebe que las marcas blancas en las correas (i) estén visibles. Si no puede ver las marcas blancas, pruebe a cruzar las correas (ii) para darles longitud adicional, y así poder ver dichas marcas blancas.

Cómo Instalar Las Correas De Sujeción Inferiores (Incluidas Al Comprar Rekid)

- 13b Enganche las correas de sujeción superiores directamente en los dispositivos de anclaje que el vehículo trae de serie (o en las correas de sujeción inferiores si las va a usar). Presione fuertemente la silla hacia abajo apoyándose en la parte superior de la silla, primero en un lado (i) y luego en el otro lado (ii). Al hacer esto, es importante que eche todo el peso de su cuerpo sobre la silla, para que las correas se tensen automáticamente todo lo posible. Esta es la primera acción para tensar las correas de sujeción superiores.
- 14b Despliegue la pata de apoyo (R) hasta su máxima longitud. Mueva el botón superior de ajuste (S) para desbloquear la parte superior de la pata de apoyo y extiéndala hasta que toque el suelo del vehículo. Si la pata de apoyo no llega al suelo, repita la operación con el botón inferior de ajuste (T).
- 15b Es importante comprobar que el ángulo de la pata de apoyo respecto al respaldo de Rekid es superior a 10° . Puede comprobarlo asegurándose de que la pata de apoyo esté más alejada del asiento del vehículo que la señal de línea vertical.
- 16b Vuelva a presionar Rekid hacia abajo y en ambos lados (i)(ii), para que las correas se terminen de tensar automáticamente.

Si ha instalado Rekid en el asiento trasero del vehículo, ahora puede mover el asiento delantero del piloto o del copiloto hasta una posición cómoda.

Nota: Es posible, pero no necesario, que al instalar Rekid en el asiento trasero del vehículo, el respaldo de Rekid toque el respaldo del asiento delantero.

Cómo Sentar Al Niño En La Silla Rekid

- 17 Presione la palanca de ajuste del arnés interno (E) y tire de los tirantes hacia delante (no de las almohadillas para hombros), para soltar el arnés completamente.
- 18 Presione el botón rojo del broche del arnés interno (i) y desabroche el arnés.
- 19 Siente al niño en la silla de seguridad Rekid. Coloque los brazos del niño entre los tirantes de los hombros, de modo que los tirantes cuelguen sobre su pecho y estómago.
- 20 Junte los tirantes de los hombros y abróchelos en el broche del arnés, entre las piernas del niño.
- 21 Tire de la correa de ajuste del arnés interno (F). Es importante que al tensarla, siempre tire de esta correa en línea recta y horizontal. Esto hará que el arnés se tense y el reposacabezas baje automáticamente hasta la altura apropiada.

Freno Del Reposacabezas

22 El reposacabezas de su silla de seguridad Rekid viene equipado con un freno. Puede usar el freno si quiere mantener fijo el reposacabezas a una determinada altura. Para activar el freno, tire de la correa de ajuste del arnés interno hasta que el reposacabezas quede a la altura deseada, entonces oírás un "click" en el reposacabezas que significará que este ha quedado bloqueado en esa posición. Compruebe que el reposacabezas no puede bajar más, y active el freno moviendo la palanca (i) en el reposacabezas hacia la derecha.

ADVERTENCIA: Nunca suba el reposacabezas con el freno activado.

Cuidado Y Mantenimiento

La funda de la silla de seguridad Rekid puede quitarse y lavarse a máquina a 30°C usando el programa de lavado para prendas delicadas. No use secadora, ya que esto puede dañar el tejido y hacer que el relleno se separe de la tela. En nuestra web www.axkid.com puede ver videos explicando cómo quitar y poner la funda.

Los componentes de plástico de la silla Rekid pueden ser limpiados con agua y detergente suave. No use para su limpieza productos químicos agresivos que contengan disolventes, porque estos pueden dañar el plástico y comprometer la seguridad de la silla.

Todos los materiales usados en la fabricación de la silla Rekid son reciclables y deben ser reciclados y eliminados según su legislación local. Pregunte a su centro de reciclaje más cercano sobre el reciclaje de este producto.

No haga ninguna reparación ni ajuste a la silla Rekid, excepto los descritos en este manual de instrucciones. Siga atentamente las instrucciones de este manual. En caso de reparación, esta debe ser hecha solo por el fabricante o el distribuidor.

Si tiene que sustituir la funda de la silla de seguridad Rekid, asegúrese de usar solo productos originales de Axkid. Si usa productos de otros fabricantes, el sistema de seguridad Rekid puede verse afectado, lo que puede ocasionar al niño lesiones graves e incluso la muerte en caso de accidente.

Todos los materiales usados en la fabricación de la silla Rekid tienen muy alta resistencia a la luz ultravioleta UV. Sin embargo, la radiación ultravioleta del sol es muy agresiva y a la larga puede afectar al color del tejido de la silla. Esto no está cubierto por la garantía, ya que se considera un desgaste normal del producto.

Garantía

La silla de seguridad infantil Rekid está cubierta por una garantía de 24 meses desde la fecha de compra. Guarde el ticket de compra y lleve la silla a la tienda donde la adquirió en caso de reclamación de la garantía. La garantía no cubre:

* El desgaste normal del producto.

* Daños producidos por un uso incorrecto del producto, negligencia o accidente.

* Reparaciones hechas por terceras personas.

Rekid

Rückwärtsgerichtet 9-18 kg mit ISOFIX
Rückwärtsgerichtet 9-25 kg mit Fahrzeuggurt und Spanngurt

Bedienungsanleitung

Wichtige Informationen

Lesen Sie diese Bedienungsanleitung vor Gebrauch sorgfältig durch und bewahren Sie sie für später auf. Für mehr Informationen und Anwendungsvideos besuchen Sie www.axkid.com oder www.vital-innovations.de.

Vielen Dank, dass Sie sich zum Kauf von Axxkid Kindersitz entschieden haben. Unser Team hat eine über 30-jährige Erfahrung in Bezug der Sicherheit von Kindern und wir haben unser Möglichstes getan, den Apollo Kindersitz so sicher wie möglich zu machen. Das Apollo Rückhaltesystem ist zugelassen nach ECE R44/04, den neusten europäischen Standards für Kindersicherheit. Um die Sicherheit der Kinder zu erhöhen, ist es wichtig die folgenden Punkte zu beachten:

Verwenden Sie den Kindersitz nicht auf Sitzplätzen mit aktiven Airbags oder schalten Sie den Airbag entsprechend aus. Gegebenenfalls muss dies durch einen Service-Techniker durchgeführt werden. Bitte überprüfen Sie immer die Kontrollleuchte, die anzeigt, ob der Airbag ausgeschaltet ist.

Umfangreiche Forschungen haben ergeben, dass das Risiko von Kindern, ernsthafte, schwere Verletzungen zu erleiden, bei Verwendung von vorwärtsgerichteten Sitzen fünfmal so hoch ist wie bei rückwärtsgerichteten Sitzen! Im Rekid kann Ihr Kind bis zu 25 kg rückwärtsgerichtet reisen.

Verwenden Sie immer den Stützfuß beim Montieren des Rekid Sitzes. Der Stützfuß ist ein sehr wichtiges Sicherheitsmerkmal, das entwickelt wurde, um die Sicherheit des Kindes im Falle eines Unfalls zu erhöhen.

Nach einem Unfall sollte das Kinderrückhaltesystem, unbeachtet der Schwere des Unfalls, ersetzt werden. Es können nicht sichtbare Schäden entstanden sein und dadurch ernsthaft die Sicherheit des Kindes gefährden. Axxkid empfiehlt daher, kein gebrauchtes Kinderrückhaltesystem zu kaufen.

Lassen Sie Ihr Kind nie unbeaufsichtigt im Auto.

Sichern Sie jegliches Gepäck in Ihrem Fahrzeug, da dies Verletzungen im Falle eines Zusammenstoßes verursachen kann.

Bewahren Sie diese Bedienungsanleitung in der dafür vorgesehenen Tasche (P) am Autositz auf.

Inhalte

Das Rekid Kinderrückhaltesystem ist geeignet für den Einsatz ab etwa sechs Monaten bis sechs Jahre. Dieser Kindersitz kann je nach Alter und Größe des Kindes auf zwei unterschiedlichen Wegen befestigt werden.

Bestandteile	31
Erlaubte und unerlaubte Positionen des Kindersitzes	32
Rückwärtsgerichtet 9-18 kg mit ISOFIX	33-35
Falls Ihr Fahrzeug mit ISOFIX-Halterungen ausgestattet ist und Ihr Kind zwischen 9-18kg wiegt, empfiehlt Axonkids diese Einbauart.	
Rückwärtsgerichtet 9-25 kg mit Fahrzeuggurt und Spanngurt	35-37
Falls Ihr Fahrzeug nicht mit ISOFIX-Halterungen ausgestattet ist, können Sie Ihren Rekid mit Hilfe des Drei-Punkt-Gurtes und den mitgelieferten Befestigungsgurten einbauen. Für Kinder zwischen 9-25 kg geeignet.	
Pflege und Wartung	38
Garantie	38

Bestandteile

A	Kopfstütze	L	Basis
B	Sicherheitsgurt des Kindersitzes	M	ISOFIX Auslöseknopf
C	Gurtschloss	N	Spanngurte
D	Schlitz für Sicherheitsgurt	O	Absatz
E	Auslöseknopf für Gurt	P	Tasche zum Verstauen der Bedienungsanleitung
F	Verstellgurt	Q	vertikale Einkerbung
G	Hebel zum Verstellen der Neigung	R	Stützfuß
H	ISOFIX-Arme	S	Oberer Riegel
I	Auslöseknopf für ISOFIX	T	Unterer Riegel
J	ISOFIX-Anzeiger	U	IsoFix Führungen x2
K	Gurtsperre	V	Haltegurt zur Verankerung (x2)

Erlaubte und unerlaubte Positionen des Kindersitzes

- 1 Das Kinderrückhaltesystem kann an jedem vorwärtsgerichtetem Beifahrersitz benutzt werden, der ISOFIX-Anschlüsse oder einen Dreipunktgurt (i) hat. Vorausgesetzt der Airbag ist ausgeschaltet. Das Rückhaltesystem kann nicht mit einem 2-Punkt Beckengurt benutzt werden (ii).

WICHTIG: Verwenden Sie den Kindersitz nicht auf Sitzplätzen mit aktiven Airbags oder schalten Sie den Airbag entsprechend aus. Gegebenenfalls muss dies durch einen Service-Techniker durchgeführt werden. Bitte überprüfen Sie immer die Kontrollleuchte, die anzeigt, ob der Airbag ausgeschaltet ist.

WARNUNG: Verwenden Sie den Kindersitz niemals auf Sitzplätzen mit aktiven Airbags

WARNUNG: Verwenden Sie den Kindersitz niemals rückwärtsgerichtet auf Fahrzeugsitzen.

WARNUNG: Airbags wurden für Erwachsene entwickelt und können ernsthaft Ihr Kind bei einem Unfall gefährden.

Erlaubte und unerlaubte Positionen des Kindersitzes

Beifahrersitz (kein aktiver Airbag)	Ja
Beifahrersitz (aktiver Airbag)	NEIN
Rücksitz links und rechts (mit ISOFIX-Halterungen)	Ja
Rücksitz mittig (ISOFIX-Halterungen)	Ja
Rücksitz mittig (Drei-Punkt-Gurt)	Ja
Rücksitz mittig (Zwei-Punkt-Gurt)	Ja
seitlich gerichtete Sitze	NEIN
rückwärtsgerichtete Sitze	NEIN



Verwenden Sie den Kindersitz niemals auf Sitzplätzen mit aktiven Airbags.



Rückwärtsgerichtet 9-18 kg mit ISOFIX

Einbau des Sitzes

- 2a Drücken und halten Sie zunächst den Riegel (I) unterhalb der Basis. Die Isofix Arme (H) sollten nun ausklappbar sein.
- 3a Der Rekid kann einfach mit der Rückseite zuerst in das Fahrzeug gehoben werden. Platzieren Sie den Kindersitz so, dass die Rückseite nach vorn gerichtet ist.

Hinweis: Beim Befestigen des Rekid am Vordersitz kann die Rückseite des Kindersitzes das Armaturenbrett berühren.

Anbringen der ISOFIX Halterungen

- 4a Die ISOFIX-Halterungen befinden sich zwischen dem Gelenk der Rückenlehne und der Basis des Fahrzeugsitzes.
- 5a Die mitgelieferten ISOFIX Führungen (U) helfen Ihnen die Anschlüsse zu finden und schützen zusätzlich die Polsterung des Fahrzeugs.
- 6a Stecken Sie die Isofix-Arme (H) in die Führungen und befestigen Sie diese an den Halterungen. Ein deutlicher Klick muss hörbar sein. Wenn die Anzeige (J) von rot zu grün wechselt, sind die Isofix Arme richtig gesichert. Zum Entfernen des Rekid halten Sie beide Auslöseknöpfe (M) gedrückt.
- 7a Zum Einstellen der Neigung drücken Sie den Hebel (G) ein. Suchen Sie eine der fünf Liegepositionen aus. Wählen Sie einen möglichst aufrechten Winkel. Dabei sollte die Rückenlehne dennoch ausreichend zurückgelehnt sein, sodass der Kopf des Kindes nicht nach vorne fällt, sollte das Kind einschlafen. Eine Daumenregel besagt, je älter die Kinder werden, umso aufrechter kann der Sitz eingestellt werden. Beachten Sie auch, dass sich der Kindersitz durch Festziehen der Gurte etwas nach unten in den Fahrzeugsitz neigt.



Verwenden Sie den Kindersitz niemals auf Sitzplätzen mit aktiven Airbags.



Anbringen der Spanngurte

Einige Fahrzeuge verfügen bereits über Verankerungspunkte an der Sitzschiene des Vordersitzes oder an der Vorderseite des Beifahrersitzes.

- 8 Falls Ihr Fahrzeug diese Verankerungspunkte nicht hat müssen Sie die mitgelieferten Haltegurte verwenden.
- 9 Möchten Sie den Kindersitz auf dem Rücksitz befestigen, ziehen Sie das Ende des Haltegurtes entweder durch die Rückseite der Sitzschiene oder einen anderen Befestigungspunkt am Vordersitz. Der Verankerungspunkt sollte sich so nah wie möglich am Fahrzeugboden befinden. Ziehen Sie dabei den Gurt immer durch eine der Öffnungen des Bandes, sodass eine Schlaufe entsteht und ziehen Sie diese fest. Dies sollte an beiden Seiten vorgenommen werden, damit zwei Verankerungspunkte vorhanden sind.
- 10 Beim Einbau des Rekid am Vordersitz müssen die Haltegurte an der vorderen Gleitschiene befestigt werden.
- 11a Ziehen Sie die Spanngurte (N) aus dem Gurtgehäuse auf eine geeignete Länge heraus.
- 12a Prüfen Sie, ob die weiße Markierung am Gurt sichtbar ist (i). Falls nicht überkreuzen Sie die Gurte (ii).
- 13a Befestigen Sie die Spanngurte direkt an den Verankerungspunkten. Drücken Sie anschließend mit Ihrem ganzen Körpergewicht die Rückenlehne auf einer Seite fest herunter (i). Wiederholen Sie dies auch auf der anderen Seite (ii). Dadurch werden die Spanngurte gestrafft.
- 14a Verlängern Sie den Stützfuß (R) so weit wie möglich. Ziehen Sie den oberen Riegel (S) an und ziehen Sie die Stütze so weit heraus, bis sie den Fahrzeugboden berührt. Sollte die Stütze nicht lang genug sein, verwenden Sie zusätzlich den unteren Riegel. (T)
- 15a Es ist wichtig zu prüfen, dass der Stützfuß einen Winkel von mehr als 10° ausgehend von der Rückseite des Sitzes hat. Sie können dies prüfen, indem sichergestellt wird, dass das Stützbein weiter weg ist vom Sitz, als die vertikale Linie.
- 16a Drücken Sie nun erneut den Kindersitz von Seite zu Seite runter (i)(ii), damit sich die Spanngurte automatisch festziehen.

Wenn Sie den Rekid auf dem Rücksitz eingebaut haben, können Sie Ihren Vordersitz in eine komfortable Position einstellen.

Hinweis: Die Rückseite des Kindersitzes kann den Vordersitz berühren.

Befestigen des Kindes im Kindersitz

- 17 Drücken Sie den Auslöseknopf für den Gurt (E) und ziehen Sie die Schultergurte vorwärts (nicht die Schulterpolster), um den Gurt vollständig zu lösen.
- 18 Drücken Sie den roten Auslöseknopf am Gurtschloss (i) und lösen Sie den Gurt.
- 19 Setzen Sie Ihr Kind in den Kindersitz. Legen Sie die Arme des Kindes zwischen die Schultergurte, sodass die Gurte über der Brust und dem Bauch des Kindes hängen.
- 20 Ziehen Sie die Schultergurte zusammen und stecken Sie diese in das Gurtschloss.
- 21 Ziehen Sie den Verstellgurt (F) an. Achten Sie darauf den Gurt immer gerade und zentral anzuziehen. Dadurch wird der Gurt gestrafft und die Kopfstütze automatisch in eine angemessene Höhe heruntergezogen.

Kopfschutz durch Feststellbremse an der Kopfstütze

- 22 Die Kopfstütze an Ihrem Rekid ist ausgestattet mit einer Feststellbremse. Diese kann benutzt werden, um die Kopfstütze in eine fixe Position zu bringen. Um diese zu aktivieren müssen Sie an dem Verstellgurt ziehen bis sich die Kopfstütze in der gewünschten Höhe befindet. Sie hören einen leichten "Klick", sobald die Kopfstütze eingerastet ist. Überprüfen Sie, ob die Kopfstütze nicht mehr nach unten gezogen werden kann und aktivieren Sie die Feststellbremse, indem Sie den Hebel (i) nach rechts bewegen.

WARNUNG: Ziehen Sie die Kopfstütze nicht nach oben wenn die Feststellbremse aktiviert ist.

Rückwärtsgerichtet 9-25 kg mit Fahrzeuggurt und Spanngurt

Einbau des Sitzes

- 2b Der Rekid kann einfach mit der Rückseite zuerst in das Fahrzeug gehoben werden. Platzieren Sie den Kindersitz so, dass die Rückseite nach vorn gerichtet ist.
- 3b Der Absatz (O) muss dabei über den Rand des Fahrzeugsitzes hinausragen. Die vertikale Einkerbung (Q) am Absatz sollte gleichmäßig zur Kante des Fahrzeugsitzes ausgerichtet sein. Beim Einbau in kleineren Fahrzeugen oder wenn Ihr Kind keine extra lange Beinfreiheit benötigt, können Sie den Absatz auch auf den Fahrzeugsitz stellen.

Hinweis: Beim Befestigen des Rekid am Vordersitz kann die Rückseite des Kindersitzes das Armaturenbrett berühren.

- 4b Zum Einstellen der Neigung drücken Sie den Hebel (G) ein. Suchen Sie eine der fünf Liegepositionen aus. Wählen Sie einen möglichst aufrechten Winkel. Dabei sollte die Rückenlehne dennoch ausreichend zurückgelehnt sein, sodass der Kopf des Kindes nicht nach vorne fällt, sollte das Kind einschlafen. Eine Daumenregel besagt, je älter die Kinder werden, umso aufrechter kann der Sitz eingestellt werden. Beachten Sie auch, dass sich der Kindersitz durch Festziehen der Gurte etwas nach unten in den Fahrzeugsitz neigt.

Befestigen des Sicherheitsgurtes

- 5b Öffnen Sie die Gurtsperre (L) an beiden Seiten des Rekid. Ziehen Sie den Sicherheitsgurt vollständig heraus bis der Beckengurt etwa 70-80 cm lang ist. Ziehen Sie den Gurt durch den Schlitz (D) unterhalb des Sitzpolsters bis der Gurt auf der anderen Seite wieder herauskommt. Wenn Sie möchten, können Sie den Gurt auch über das Polster spannen.
- 6b Stecken Sie den Sicherheitsgurt in das Gurtschloss und ziehen Sie den Gurt fest. Sichern Sie sowohl den Hüftgurt als auch den Schultergurt in der Gurtsperre am Gurtschloss.
- 7b In der Gurtsperre auf der anderen Seite wird nur der Hüftgurt gesichert.



Verwenden Sie den Kindersitz niemals auf Sitzplätzen mit aktiven Airbags.



Anbringen der Spanngurte

Einige Fahrzeuge verfügen bereits über Verankerungspunkte an der Sitzschiene des Vordersitzes oder an der Vorderseite des Beifahrersitzes.

- 8 Falls Ihr Fahrzeug diese Verankerungspunkte nicht hat müssen Sie die mitgelieferten Haltegurte verwenden.
- 9 Möchten Sie den Kindersitz auf dem Rücksitz befestigen, ziehen Sie das Ende des Haltegurtes entweder durch die Rückseite der Sitzschiene oder einen anderen Befestigungspunkt am Vordersitz. Der Verankerungspunkt sollte sich so nah wie möglich am Fahrzeugboden befinden. Ziehen Sie dabei den Gurt immer durch eine der Öffnungen des Bandes, sodass eine Schlaufe entsteht und ziehen Sie diese fest. Dies sollte an beiden Seiten vorgenommen werden, damit zwei Verankerungspunkte vorhanden sind.
- 10 Beim Einbau des Rekid am Vordersitz müssen die Haltegurte an der vorderen Gleitschiene befestigt werden.
- 11b Ziehen Sie die Spanngurte (N) aus dem Gurtgehäuse auf eine geeignete Länge heraus.
- 12b Prüfen Sie, ob die weiße Markierung am Gurt sichtbar ist (i). Falls nicht überkreuzen Sie die Gurte (ii).

- 13b Befestigen Sie die Spanngurte direkt an den Verankerungspunkten. Drücken Sie anschließend mit Ihrem ganzen Körpergewicht die Rückenlehne auf einer Seite fest herunter (i). Wiederholen Sie dies auch auf der anderen Seite (ii). Dadurch werden die Spanngurte gestrafft.
- 14b Verlängern Sie den Stützfuß (R) so weit wie möglich. Ziehen Sie den oberen Riegel (S) an und ziehen Sie die Stütze so weit heraus, bis sie den Fahrzeugboden berührt. Sollte die Stütze nicht lang genug sein, verwenden Sie zusätzlich den unteren Riegel. (T)
- 15b Es ist wichtig zu prüfen, dass der Stützfuß einen Winkel von mehr als 10° ausgehend von der Rückseite des Sitzes hat. Sie können dies prüfen, indem sichergestellt wird, dass das Stützbein weiter weg ist vom Sitz, als die vertikale Linie.
- 16b Drücken Sie nun erneut den Kindersitz von Seite zu Seite runter (i)(ii), damit sich die Spanngurte automatisch festziehen.

Wenn Sie den Rekid auf dem Rücksitz eingebaut haben, können Sie Ihren Vordersitz in eine komfortable Position einstellen.

Hinweis: Die Rückseite des Kindersitzes kann den Vordersitz berühren.

Befestigen des Kindes im Kindersitz

- 17 Drücken Sie den Auslöseknopf für den Gurt (E) und ziehen Sie die Schultergurte vorwärts (nicht die Schulterpolster), um den Gurt vollständig zu lösen.
- 18 Drücken Sie den roten Auslöseknopf am Gurtschloss und lösen Sie den Gurt.
- 19 Setzen Sie Ihr Kind in den Kindersitz. Legen Sie die Arme des Kindes zwischen die Schultergurte, sodass die Gurte über der Brust und dem Bauch des Kindes hängen.
- 20 Ziehen Sie die Schultergurte zusammen und stecken Sie diese in das Gurtschloss.
- 21 Ziehen Sie den Verstellgurt (F) an. Achten Sie darauf den Gurt immer gerade und zentral anzuziehen. Dadurch wird der Gurt gestrafft und die Kopfstütze automatisch in eine angemessene Höhe heruntergezogen.

Kopfschutz durch Feststellbremse an der Kopfstütze

- 22 Die Kopfstütze an Ihrem Rekid ist ausgestattet mit einer Feststellbremse. Diese kann benutzt werden, um die Kopfstütze in eine fixe Position zu bringen. Um diese zu aktivieren müssen Sie an dem Verstellgurt ziehen bis sich die Kopfstütze in der gewünschten Höhe befindet. Sie hören einen leichten "Klick", sobald die Kopfstütze eingerastet ist. Überprüfen Sie, ob die Kopfstütze nicht mehr nach unten gezogen werden kann und aktivieren Sie die Feststellbremse, indem Sie den Hebel (i) nach rechts bewegen.

WARNUNG: Ziehen Sie die Kopfstütze nicht nach oben wenn die Feststellbremse aktiviert ist.

Pflege und Wartung

Der Sitzbezug ist abnehmbar und kann bei 30°C im Schonverfahren in der Waschmaschine gewaschen werden. Nicht trocknergeeignet. Dies kann den Bezug beschädigen. Videos zum Entfernen und Anbringen des Stoffbezuges finden Sie unter www.axkid.com oder unter www.vital-innovations.de

Jedes Plastikteil des Rekid kann mit einem milden Waschmittel und Wasser gereinigt werden. Verwenden Sie keine aggressiven Reiniger, die Lösungsmittel etc. enthalten. Dies kann zu Schäden führen und die Sicherheit des Kinderrückhaltesystems beeinträchtigen.

Alle Materialien, die im Rekid Rückhaltesystem verwendet werden sind wiederverwendbar und sollten gemäß der örtlichen und nationalen Vorschriften entsorgt werden. Fragen Sie Ihr lokales Recycling-Center um Rat.

Führen Sie keine Veränderungen am Rekid Rückhaltesystem durch. Halten Sie sich genau an die Bedienungsanleitung. Befolgen Sie die Anleitungen sorgfältig. Jegliche Reparaturen müssen durch den Hersteller oder Händler durchgeführt werden.

Wenn der Sitzbezug ersetzt werden muss, stellen Sie sicher, dass nur Originalprodukte von Axon Kids verwendet werden. Falls andere Produkte benutzt werden, kann das Rekid Sicherheitssystem beeinträchtigt sein. Zudem kann es im Falle eines Unfalls zu schweren Verletzungen oder zum Tod führen.

Alle verwendeten Materialien haben eine sehr hohe UV-Beständigkeit. Dennoch ist das UV-Licht sehr aggressiv und wird letztlich zum Verblassen des Sitzbezuges führen. Dies wird nicht durch unsere Garantie abgedeckt, da es sich hier um normale Abnutzung handelt.

Garantie

Der Garantiezeitraum beträgt 24 Monate ab Kaufdatum. Bewahren Sie Ihren Kaufbeleg gut auf. Dieser muss im Falle eines Garantieanspruchs vorgezeigt werden. Folgendes wird nicht von der Garantie abgedeckt:

- normale Abnutzung
- Schäden durch unsachgemäße Verwendung, Vernachlässigung oder Unfall
- Reparaturen durch Dritte

Rekid

Tylem do kierunku jazdy w grupie 9-18 kg na isofix lub pas samochodowy oraz pętle. W grupie 9-25
tylem do kierunku jazdy na pasy.

Instrukcja obsługi

Ważne Informacje

Przed montażem fotelika REKID w samochodzie przeczytaj instrukcję obsługi. Więcej informacji oraz filmy instruktażowe znajdziesz na: www.axkid.com.

Dziękujemy za wybranie fotelika marki axkid. Nasz zespół ma łącznie ponad 30 lat doświadczenia w projektowaniu i produkcji fotelików i zrobiliśmy wszystko co możliwe aby axkid rekid był jak najbezpieczniejszym fotelikiem do twojego dziecka. Fotelik rekid jest zgodny z normą ecer44/04, najnowszą europejską dyrektywą w sprawie bezpieczeństwa dzieci w aucie. Aby zapewnić dziecku maksymalne bezpieczeństwo należy pamiętać o następujących kwestiach:

Zanim zabierzesz się do instalacji fotelika w samochodzie przeczytaj uważnie instrukcję montażu. W razie problemów z instalacją poproś o pomoc swojego sprzedawcę. Niepoprawnie zamontowany fotelik może być niebezpieczny dla dziecka.

Nie montuj fotelika tyłem do kierunku jazdy na przednim siedzeniu z aktywną poduszką powietrzną. Jeśli chcesz zamontować fotelik w tym miejscu poduszka musi być wyłączona przez autoryzowaną stację obsługi. Niektóre samochody są wyposażone w ręczny wyłącznik poduszki powietrznej. Zawsze sprawdzaj czy kontrolka włączonej poduszki powietrznej jest nieaktywna.

Przewoź swoje dziecko tyłem do kierunku jazdy jak najdłużej. Rozległe badania pokazują, że ryzyko poważnych obrażeń jest pięć razy większe jeżeli dziecko siedzi przodem do kierunku jazdy w porównaniu do jazdy tyłem. W foteliku REKID dziecko może podróżować tyłem do 25kg.

Zawsze używaj nogi wspierającej jeżeli fotelik jest zamontowany tyłem do kierunku jazdy. Noga wspierająca jest bardzo ważnym elementem zaprojektowanym w taki sposób aby maksymalnie zwiększyć bezpieczeństwo Twojego dziecka w foteliku.

Jeśli miałeś kolizję, bez znaczenia jak była poważna powinieneś wymienić fotelik na nowy. Mogą wtedy powstać niewykrywalne uszkodzenia narazające na niebezpieczeństwo Twoje dziecko. Dlatego Axkid nie zaleca kupować fotelików z drugiej ręki.

Nigdy nie zostawiaj swojego dziecka w samochodzie bez opieki.

Upewnij się, że Twój bagaż i wszystkie obiekty w samochodzie są zabezpieczone ponieważ luźne elementy mogą poważnie zagrażać Tobie oraz pasażerom w trakcie kolizji.

Przechowuj tę instrukcję w przeznaczony do tego kieszonce w foteliku.

Zawartość

Fotelik rekid jest przeznaczony dla dzieci od ok.6 Miesiąca życia lub od chwili kiedy dziecko potrafi siedzieć aż do szóstego roku życia. Ten fotelik może być zamontowany tylko tyłem do kierunku jazdy.

Części składowe fotelika	40
Poprawne ustawienie fotelika w samochodzie	41
Tyłem do kierunku jazdy w grupie 9-18kg z ISOFIX	42-44
Tylko w samochodach wyposażonych w ISOFIX dla dzieci w grupie 9-18kg	
Tyłem do kierunku jazdy w grupie 9-25 kg	44-46
W samochodach, które nie posiadają systemu isofix z wykorzystaniem pasów trzypunktowych dla dzieci w grupie 9-25 kg	
Pielęgnacja i konserwacja	47
Warunki gwarancji	47

Części Składowe Fotelika

A	Zaglówek	L	Podstawa
B	Zintegrowana uprząż	M	Przycisk zwalnający uchwyt ISOFIX
C	Klamra spinająca pasy	N	Pasy montażowe wraz ze zwijarką
D	Szczelina na pas trzypunktowy	O	Ogranicznik wysunięcia fotelika
E	Przycisk regulacji pasów	P	Kieszon na instrukcję obsługi
F	Pasek do regulacji	Q	Wskaźnik ustawienia fotelika
G	Dźwignia regulacji odchylenia	R	Noga wspierająca
H	Ramiona ISOFIX	S	Regulacja długości nogi wspierającej
I	Blokada isofix ISOfix	T	Regulacja długości nogi wspierającej
J	Wskaźnik poprawnego zapięcia ISOFIX	U	Prowadnice isofix (x2)
K	Klamra trzymająca pas samochodowy	V	Dolne kotwy montażowe (x2)

Poprawne Ustawienie Fotelika W Samochodzie

1 Fotelik może być użytkowany na przednim siedzeniu pasażera jeśli jest wyposażone w trzypunktowy pas bezpieczeństwa, a poduszka powietrzna nie jest aktywna. Fotelik nie może być użytkowany z pasami dwupunktowymi.

WAŻNE: Jeśli chcesz zamontować fotelik REKID w samochodzie wyposażonym w poduszkę powietrzną, musi być ona wyłączona w autoryzowanym serwisie obsługi. Niektóre samochody mają ręcznie wyłączaną poduszkę powietrzną. Należy zawsze sprawdzać czy kontrolka poduszki pokazuje, że jest ona nieaktywna.

UWAGA: Nigdy nie montuj fotelika na siedzeniu z aktywną poduszką powietrzną.

UWAGA: Nie używać na fotelach samochodowych ustawionych bokiem lub tyłem do kierunku jazdy

UWAGA: Poduszki powietrzne są przeznaczone dla osób dorosłych i mogą stanowić poważne zagrożenie dla dzieci

Poprawne ustawienie fotelika w samochodzie.

Przedni fotel pasażera (poduszka nieaktywna)	Tak
Przedni fotel pasażera (poduszka aktywna)	NIE
Tyłne siedzenie lewe i prawe wyposażone w isofix	Tak
Tyłne środkowe siedzenie (ISOFIX)	Tak
Tyłne środkowe siedzenie (pas trzypunktowy)	Tak
Tyłne środkowe siedzenie (pas dwupunktowy)	NIE
Siedzenia bokiem do kierunku jazdy	NIE
Siedzenie tyłem do kierunku jazdy	NIE



Nigdy nie montuj fotelika na miejscu wyposażonym w aktywną poduszkę powietrzną.



Tyłem 9-18 Kg Z ISOFIX

Umieszczenie Fotelika W Pojeździe

- 2a Naciśnij przycisk w podstawie aby uwolnić zaczepy isofix (I).
- 3a Aby włożyć fotelik do pojazdu najłatwiej jest chwycić za tylną część. Umieść fotelik w samochodzie opierając go o przedni fotel.

Uwaga: Tył fotelika może, ale nie musi stykać się z przednim fotelem pasażera.

Podłączanie Złącza ISOFIX

- 4a Uchwyty ISOFIX znajdują się pomiędzy siedzeniem a oparciem tylnej kanapy.
- 5a Załączone prowadnice ISOFIX (U) mogą pomóc przy wpięciu w uchwyty ISOFIX, a ponadto ochronią przed uszkodzeniami tapicerkę samochodu.
- 6a Wciśnij ramiona isofix (H) przesuwając je w kierunku zaczepów wystających z siedzenia. Kiedy usłyszysz wyraźne kliknięcie a wskaźnik zmieni się z czerwonego na zielony to znaczy, że fotelik jest wpięty poprawnie. Aby wypiąć fotelik przytrzymaj i przesun czerwone przyciski na ramionach ISOFIX w stronę przodu auta (M).
- 7a Aby dostosować odchylenie, naciśnij dźwignię regulacji kąta i ustaw fotelik w jednej z trzech pozycji. Zawsze ustawiaj taką pozycję w której dziecko jest jak najbardziej wyprostowane, a zarazem taką w której dzieku nie opada głowa w trakcie snu. Zazwyczaj im dziecko starsze tym bardziej siedzącą pozycję powinieneś wybrać. Pamiętaj, że kiedy zakończysz montaż fotelika, to jego pozycja będzie bardziej odchylona niż przed montażem, ponieważ pasy mocno dociskają go do siedzenia samochodu.



Nigdy nie montuj fotelika na miejscu wyposażonym w aktywną poduszkę powietrzną.



Dodatkowe Pasy Mocujące

Niektóre samochody mogą mieć fabrycznie zainstalowane specjalne uchwyty do pasów mocujących umieszczone przy prowadnicy przedniego fotela lub z przodu fotela pasażera.

- 8 Jeśli Twój pojazd nie ma fabrycznych punktów montażowych, konieczne jest by użyć dodatkowych pasów mocujących.
- 9 Przy montażu na tylnym siedzeniu, pętle montażowe powinny być przymocowane do prowadnicy przedniego fotela, lub w miejscu łączenia się siedziska z oparciem. Należy zamontować pętle w taki sposób aby punkty montażowe znajdowały się jak najbliżej podłogi samochodu. Pętle montażowe instalujemy poprzez przełożenie metalowej końcówki pasa przez jeden z otworów znajdujących się w miejscach oznaczonych białym znacznikiem. Należy utworzyć 2 punkty montażowe po jednym z każdej strony.
- 10 W przypadku montażu REKID na przednim siedzeniu dodatkowe pętle mocujące powinny być przymocowane od przodu siedzenia więc punkty montażowe będą znajdować się przy krawędzi przedniego siedzenia.
- 11a Wyciągnij górną część pasa z obudowy fotela na odpowiednią długość tak aby sięgnąć do punktów montażowych.
- 12a Upewnij się, że białe przszycia na pasach są widoczne. Jeśli nie, poprowadź pasy krzyżowo, to pozwoli wyciągnąć odpowiednią ilość pasów. Następnie ponownie sprawdź czy biały pasek jest widoczny.
- 13a Przypnij pasy fotelika do specjalnych uchwytów w przednim fotelu (ewentualnie użyj dodatkowych pasów mocujących do stworzenia punktów montażowych). Dociśnij mocno fotelik od góry z lewej i prawej strony. Ważne jest aby do montażu fotelika użyć dużo siły, można skorzystać z masy własnego ciała aby dociśnąć fotelik. Po poprawnym zapięciu fotelik będzie mocniej odchylony w porównaniu do pozycji jaką miał na kanapie przed zapięciem.
- 14a Rozłóż nogę podpierającą (Q) na maksymalną długość. Wyciągnij górny uchwyt w nodze (S) podpierającej i przytrzymaj aż noga sięgnie podłogi. Jeśli noga nie sięga podłogi, powtórz procedurę ponownie. (T).
- 15a Ważne jest aby noga była w pozycji pionowej, lub skierowana w stronę przodu auta. Zapewnia to prawidłowe działanie nogi wspierającej. Jeśli noga ucieka, pod fotel powtórz montaż ponownie.
- 16a Teraz dociągnij mocno pasy i upewnij się, że noga wspierająca nie rusza się po podłodze, a fotelik stabilnie trzyma się siedzenia.

Po zamontowaniu fotelika REKID, możesz dopasować przedni fotel pasażera.

Uwaga: Tył fotelika może, ale nie musi stykać się z przednim fotelem pasażera.

Umieszczenie Dziecka W Foteliku

- 17 Naciśnij przycisk regulacji pasów (E) i pociągnij do przodu pasy naramienne (nie okładki pasów) aby całkowicie poluzować uprząż.
- 18 Naciśnij czerwony przycisk zamka aby rozpiąć pasy.
- 19 Posadź dziecko w foteliku. Włóż ramiona i ręce dziecka pod pasy tak aby znajdowały się w okolicy klatki piersiowej i brzucha.
- 20 Złóż klamry pasów w jedną i wciśnij razem w zamek pasa krokowego.
- 21 Pociągnij pasek regulujący długość pasów. (F). Ważne jest aby zawsze dociągać pasek centralnie i prosto w osi fotelika. To ułatwi dopasowanie zagłówka oraz odpowienie napięcie pasów.

Ustawienie Wysokości Zagłówka

- 22 Fotelik REKID jest wyposażony w blokadę regulacji zagłówka. Może on być użyty kiedy chcesz zablokować zagłówek w określonym położeniu. Aby skorzystać z blokady naciśnij pasek do regulacji napięcia uprząży aż do momentu gdy zagłówek ustawi się w pożądanej wysokości. Upewnij się, że zagłówek jest ustawiony odpowiednio do wysokości dziecka a następnie przesuń dźwignię znajdującą się na szczycie zagłówka w prawo.

Uwaga: Nie przed regulacją zagłówka upewnij się, że pasy są poluzowane a dźwignia przesunięta na lewą stronę.

Tyłem Do Kierunku Jazdy W Grupie 9-25 Kg Za Pomocą Pasów Samochodowych Oraz Dodatkowych Pętli Montażowych

Umieszczenie Fotelika W Pojeździe

- 2b Aby włożyć fotelik do pojazdu najłatwiej jest chwycić za tylną część. Umieść fotelik w samochodzie opierając go o przedni fotel.
- 3b Ogranicznik wysunięcia fotela (Q) powinien być na krawędzi kanapy. Wskaźnik wysunięcia fotela powinien znajdować się końcu kanapy w pozycji pionowej. Jeśli fotelik jest instalowany w małym samochodzie lub dziecko nie potrzebuje dodatkowego miejsca na nogi można ustawić fotelik bliżej oparcia tylnej kanapy. Dzięki temu zyskamy miejsca na większe odchylenie fotelika.

Uwaga: Kiedy montujesz fotelik na przednim siedzeniu jest możliwe, ale nie konieczne oparcie fotelika o deskę rozdzielczą auta.

4b Aby dostosować odchylenie, naciśnij dźwignię regulacji kąta (K) i ustaw fotelik w jednej z trzech pozycji. Zawsze ustawiaj taką pozycję w której dziecko jest jak najbardziej wyprostowane, a zarazem taką w której dziecku nie opada głowa w trakcie snu. Zazwyczaj im dziecko starsze tym bardziej siedzącą pozycję powinieneś wybrać. Pamiętaj, że kiedy zakończysz montaż fotelika, to jego pozycja będzie bardziej odchylona niż przed montażem, ponieważ pasy mocno dociskają go do siedzenia samochodu.

Zapięcie Samochodowych Pasów Bezpieczeństwa

5b Otwórz klamry po obu stronach fotelika (L). Wyciągnij około 70-80 cm pasów i połącz je w jeden pas. Przelóż tak złączone pasy przez otwór (D), pomiędzy tapicerką a fotelikiem – może być też na tapicerce. Przeciągnij pas aż wyjdzie on z drugiej strony fotelika.

6b Zapnij pasy w klamrę wychodzącą z siedzenia. Ciągnij za pas dopóki wszystkie luzy zostaną skasowane a pas będzie napięty. Zabezpiecz pas piersiowy i biodrowy od strony klamry w której wpinałeś pasy.

7b Klamra po przeciwnej stronie powinna przytrzymywać tylko pas biodrowy.



Nigdy nie montuj fotelika na miejscu wyposażonym w aktywną poduszkę powietrzną.



Dodatkowe Pasy Mocujące

Niektóre samochody mogą mieć fabrycznie zainstalowane specjalne uchwyty do pasów mocujących umieszczone przy prowadnicy przedniego fotela lub z przodu fotela pasażera.

8 Jeśli Twój pojazd nie ma fabrycznych punktów montażowych, konieczne jest by użyć dodatkowych pasów mocujących.

9 Przy montażu na tylnym siedzeniu, pętle montażowe powinny być przymocowane do prowadnicy przedniego fotela, lub w miejscu łączenia się siedziska z oparciem. Warto zamontować pętle w taki sposób aby punkty montażowe znajdowały się jak najbliżej podłogi samochodu. Pętle montażowe instalujemy poprzez przełożenie metalowej końcówki pasa przez jeden z otworów znajdujących się w miejscach oznaczonych białym znacznikiem. Należy utworzyć 2 punkty montażowe po jednym z każdej strony.

10 W przypadku montażu REKID na przednim siedzeniu dodatkowe pętle mocujące powinny być przymocowane od przodu siedzenia więc punkty montażowe będą znajdować się przy krawędzi przedniego siedzenia.

11b Wyciągnij górną część pasa z obudowy fotela na odpowiednią długość tak aby sięgnąć do punktów montażowych.

- 12b) Upewnij się, że białe przesyrcia na pasach są widoczne. Jeśli nie, poprowadź pasy krzyżowo, to pozwoli wyciągnąć odpowiednią ilość pasów. Następnie ponownie sprawdź czy biały pasek jest widoczny.
- 13b) Przypnij pasy fotelika do specjalnych uchwytów w przednim fotelu (ewentualnie użyj dodatkowych pasów mocujących do stworzenia punktów montażowych). Docisnij mocno fotelik od góry z lewej i prawej strony. Ważne jest aby do montażu fotelika użyć dużo siły, można skorzystać z masy własnego ciała aby docisnąć fotelik. Po poprawnym zapięciu fotelik będzie mocniej odchylony w porównaniu do pozycji jaką miał na kanapie przed zapięciem.
- 14b) Rozłóż nogę podpierającą (Q) na maksymalną długość. Wyciągnij górny uchwyt w nodze (S) podpierającej i przytrzymaj aż noga sięgnie podłogi. Jeśli noga nie sięga podłogi, powtórz procedurę ponownie. (T).
- 15b) Ważne jest aby noga była w pozycji pionowej, lub skierowana w stronę przodu auta. Zapewnia to prawidłowe działanie nogi wspierającej. Jeśli noga ucieka pod fotel powtórz montaż ponownie.
- 16b) Teraz dociągnij mocno pasy i upewnij się, że noga wspierająca nie rusza się po podłodze, a fotelik stabilnie trzyma się siedzenia.

Po zamontowaniu fotelika REKID, możesz dopasować przedni fotel pasażera.

Uwaga: Tył fotelika może, ale nie musi stykać się z przednim fotelem pasażera.

Umieszczenie Dziecka W Foteliku

- 17) Naciśnij przycisk regulacji pasów (F) i pociągnij do przodu pasy naramienne (nie okładki pasów) aby całkowicie poluzować uprząż.
- 18) Naciśnij czerwony przycisk na zamku pasów aby rozpiąć pasy.
- 19) Posadź dziecko w foteliku. Włóż ramiona i ręce dziecka pod pasy tak aby znajdowały się w okolicy klatki piersiowej i brzucha.
- 20) Złóż klamry pasów w jedną i wciśnij razem w zamek pasa krokowego.
- 21) Pociągnij pasek regulujący długość pasów. (F). Ważne jest aby zawsze dociągać pasek centralnie i prosto w osi fotelika. To ułatwi dopasowanie zagłówka oraz odpowienie napięcie pasów.

Ustawienie Wysokości Zagłówka

- 22) Fotelik REKID jest wyposażony w blokadę regulacji zagłówka. Może ona być użyta kiedy chcesz zablokować zagłówek w określonym położeniu. Aby skorzystać z blokady naciśnij pasek do regulacji napięcia uprząży aż do momentu gdy zagłówek ustawi się w pożądanej wysokości. Upewnij się, że zagłówek jest ustawiony odpowiednio do wysokości dziecka a następnie przesunij dźwignię znajdującą się na szczycie zagłówka w prawo.

Uwaga: Przed regulacją zagłówka upewnij się, że pasy są poluzowane a dźwignia przesunięta na lewą stronę.

Pielęgnacja i Konserwacja

Tapicerka jest zdejmowana i może być prana w pralce w temperaturze 30° C na delikatnym programie. Nie suszyć w suszarkach ponieważ tapicerka może ulec uszkodzeniu a wyściółka odłączyć się od materiału
Odwiedź www.axkid.com by dowiedzieć się jak poprawnie zdjąć tapicerkę z fotelika.

Wszystkie części plastikowe mogą być czyszczone za pomocą detergentów. Nie używać mocnych środków chemicznych, np. Rozpuszczalników do czyszczenia fotelika. Mogą one spowodować uszkodzenie plastiku a co za tym idzie obniżenie bezpieczeństwa jakie fotelik zapewnia.

Wszystkie materiały użyte do produkcji fotelika REKID podlegają recydingowi zgodnie z lokalnym ustawodawstwem. Przed oddaniem fotelika na recyding należy zasięgnąć rady specjalisty.

Nie modyfikuj fotelika REKID w żaden inny sposób niż ten opisany w instrukcji obsługi. Ściśle trzymaj się zaleceń z instrukcji. Wszystkie naprawy muszą być przeprowadzone przez autoryzowany serwis.

Jeśli tapicerka wymaga wymiany, może być zastąpiona tylko przez dedykowaną przez Axkid zamiennik. Użycie innych akcesoriów niż te rekomendowane przez Axkid może prowadzić do znacznego obniżenia bezpieczeństwa, jakie fotelik zapewnia a nawet mogą prowadzić do śmierci.

Wszystkie tapicerki Axkid są odporne na promieniowanie UV jednakże od częstego wystawiania fotelika na działanie promieni słonecznych kolory tapicerki mogą ulec zmianie. Jest to uznane za normalne zużycie i nie jest objęte gwarancją.

Warunki Gwarancji

Foteliki Axkid REKID są objęte 24 miesięczną gwarancją obowiązującą od daty zakupu. Upewnij się, że posiadasz dowód zakupu, ponieważ będzie on niezbędny w procesie reklamacji fotelika jeżeli taka nastąpi.

Gwarancja nie obejmuje:

* Usterek wynikających z normalnego użytkowania produktu

* Uszkodzeń powstałych w wyniku niewłaściwego użytkowania, zaniedbania lub powstałych w czasie kolizji

* Jeśli fotelik był naprawiany przez osoby trzecie

Rekid

Bakåtvänd fäst med Isofix 9-18 kg

Bakåtvänd fäst med bilbälte och fästremmar 9-25 kg

Instruktionsbok

Viktig Information

Läs denna instruktionsbok innan du monterar Rekid bilbarnstol i bilen. Mer information och monteringsfilmer finns på www.axkid.com.

Tack för att du valt en bilbarnstol från Axxid. Vårt team har över 30 års erfarenhet inom barnsäkerhet, och vi har gjort vårt yttersta för att Rekid bilbarnstol ska bli så säker som möjligt. Rekid bilbarnstol är godkänd enligt ECE R44/04, den senaste europeiska teststandarden för barnsäkerhet. För maximal säkerhet för barnet är det viktigt att tänka på följande:

Läs instruktionerna noga innan du monterar bilbarnstolen. Om du är osäker på om du gjort rätt, kontakta din återförsäljare som kan visa dig korrekt montering. Felaktig montering innebär fara för ditt barn.

Montera aldrig bilbarnstolen på ett säte med aktiv airbag. Om du ändå vill montera Rekid på platsen, koppla ur airbagen hos en auktoriserad verkstad. Vissa bilar har ett manuellt urkopplingsreglage för airbagen. Det är viktigt att kontrollera att indikeringslampan i bilen visar att airbagen är urkopplad.

Undersökningar har visat att risken för allvarliga skador och dödsfall är fem gånger högre i en framåtvänd bilbarnstol jämfört med en bakåtvänd. Med Rekid kan barnet färdas bakåtvänt upp till 25 kg.

Använd alltid stödbenet när du monterar Rekid-stolen. Stödbenet är en mycket viktig säkerhetsdetalj som är utformad för att maximera barnets säkerhet vid en olycka.

Bilbarnstolen ska bytas ut om den varit med om en olycka, oavsett hur liten olyckan än är. Bilbarnstolen kan ha fått osynliga skador som allvarligt påverkar barnets säkerhet. Därför avråder Axxid alltid från att köpa en begagnad bilbarnstol.

Lämna aldrig barnet utan uppsikt i bilen.

Se till att eventuellt bagage och lösa föremål är ordentligt fästa i bilen eftersom de kan orsaka personskada vid en kollision.

Förvara instruktionsboken i förvaringsfickan (P) på bilbarnstolen.

Innehåll

Rekid bilbarnstol är lämplig att använda från ca sex månaders ålder, eller från det att barnet kan sitta själv utan stöd, och upp till sex år. Bilbarnstolen kan monteras på två olika sätt beroende på barnets ålder och storlek.

Delar	49
Tillåten och otillåten placering av bilbarnstolen	50
Bakåtvänd fäst med Isofix 9-18 kg	51-53
Det här monterings sättet kan användas om bilen har Isofix-fästen och barnet väger mellan 9 och 18 kg.	
Bakåtvänd med bilbälte och fästremmar 9-25 kg	53-55
Det här monterings sättet är avsett för bilar som INTE har Isofix-fästen. Vid det här monterings sättet används trepunktsbälte och det är avsedd för barn som väger mellan 9 och 25 kg.	
Skötsel och underhåll	56
Garanti	56

Delar

A	Huvudstöd	L	Bas
B	Bilbarnstolens eget bälte	M	Isofix frisläppningsknapp
C	Bältesspänne	N	Fästremmar
D	Öppning för säkerhetsbälte	O	Klackar
E	Justeringsknapp för bilbarnstolens bälte	P	Förvaringsficka för instruktionsbok
F	Justeringsrem för bilbarnstolens bälte	Q	Markerad lodlinje
G	Lutningsspak	R	Stödben
H	Isofix-armar	S	Övre spärr
I	Isofix spärrspak	T	Nedre spärr
J	Isofix-indikering	U	Isofix-guider (x2)
K	Bältesklämmor	V	Nedre förankringsband (x2)

Tillåten Och Otillåten Placering Av Bilbarnstolen

- 1 Bilbarnstolen kan användas på alla framåtvända passagerarsäten med Isofix-fästen eller trepunktsbälte (i), under förutsättning att sätet inte har någon aktiv airbag. Bilbarnstolen får inte användas tillsammans med tvåpunkts höftbälte (ii).

VIKTIGT! Om du vill använda Rekid bilbarnstol på en plats med airbag måste denna kopplas ur på en auktoriserad verkstad. Vissa bilar har ett manuellt urkopplingsreglage för airbagen. Det är viktigt att kontrollera att indikeringslampan i bilen visar att airbagen är urkopplad.

VARNING! Använd aldrig på ett säte med aktiv airbag

VARNING! Använd aldrig på bakåt- eller sidovända säten

VARNING! Airbagkuddar är utformade för vuxna och kan skada barn allvarligt vid krock.

Tillåten och otillåten placering av bilbarnstolen

Främre passagerarsäte (ingen aktiv airbag)	Ja
Främre passagerarsäte (aktiv airbag)	NEJ
Framåtvänt säte med trepunktsbälte	Ja
Säte med tvåpunktsbälte	NEJ
Framåtvänt säte med Isofix-fästen	Ja
Sidovänt säte	NEJ
Bakåtvänt säte	NEJ



Montera aldrig bilbarnstolen på ett säte där det finns en aktiv airbag.



Bakåtvänd Fäst Med ISOFIX 9-18 Kg

Placera Bilbarnstolen

- 2a Börja med att trycka och hålla ner spärrspaken för Isofix (I). Du ska nu kunna fälla ut Isofix-armarna (H).
- 3a Rekid lyfts enklast in i bilen med ryggen först. Placera bilbarnstolen i bilen så att ryggen pekar framåt i bilens färdriktning.

Obs! Vid montering i framsätet kan bilbarnstolens ryggstöd ha kontakt med instrumentbrädan, men det är inte nödvändigt.

Fästa ISOFIX-Fästena

- 4a Isofix-fästena sitter mellan ryggstödet och själva sätet.
- 5a De medföljande Isofix-guiderna (U) kan hjälpa dig att hitta fästena, och de skyddar dessutom bilklädseln.
- 6a För in Isofix-armarna (H) genom guiderna och sätt fast dem i fästena. När det hörs ett klickljud och båda indikatorerna (J) är gröna sitter de korrekt. När du sedan vill lossa bilbarnstolen håller du in båda frisläppningsknapparna (M).
- 7a Justera bilbarnstolens lutningsvinkel genom att trycka ned lutningsspaken (G) och välja en av tre lutningsvinklar. Välj alltid en så upprätt vinkel som möjligt. Barnet ska dock kunna hålla uppe sitt huvud själv, och huvudet ska inte hänga framåt om barnet sover. Tumregeln är att ju äldre barnet blir desto mer upprätt kan du sätta stolen. Tänk också på att stolen kommer att luta något mer bakåt när säkerhetsbältena och fästremmarna spänns och den sjunker ner i sätet.



Montera aldrig bilbarnstolen på ett säte där det finns en aktiv airbag.



Fästa Fästremmarna

I vissa bilar finns det förankringsöglor i golvet vid framsätets skenor, eller framför sätet vid montering i framsätet.

- 8 Om bilen saknar förankringsöglor måste de medföljande förankringsbanden användas.
- 9 Om stolen monteras i baksätet: för förankringsbandet med änden med spännet genom den bakre delen av framsätets skenor eller en annan lämplig fästpunkt på framsätet.
Förankringspunkten ska vara så nära golvet som möjligt. För därför in förankringsbandets spänne genom den närmaste öppningen, knyt en löpknut och dra åt. Detta måste göras på båda sidor för att skapa två förankringspunkter.
- 10 När Rekid monteras i det främre passagerarsätet måste de nedre förankringsbanden fästas i de främre glidskenorna så att förankringspunkterna hamnar vid passagerarsätets framkant.
- 11a Dra ut den övre fästremmen från bälteshuset (N) till lämplig längd.
- 12a Kontrollera att de vita markeringarna på remmen (i) är synliga. Om inte, pröva att korsar remmarna (ii) för att på så vis göra dem lite längre så att de vita markeringarna blir synliga.
- 13a Sätt fast förankringsfästena direkt i bilens förankringsöglor (eller i de nedre förankringsbanden om du använt dem). Tryck hårt nedåt ovanpå höger sida (i) av bilbarnstolen och upprepa sedan på vänster sida (ii). För att stolen ska sitta på plats är det viktigt att du trycker med hela din kroppsvikt och drar åt fästremmarna mycket hårt. Detta är den första åtdragningen av fästremmarna.
- 14a Fäll ut stödbenet (R) till dess yttersta läge. Dra ut den övre spärren (S) och dra ner benet tills det får kontakt med bilens golv. Om stödbenet inte når ned till golvet, upprepa med den nedre spärren (T).
- 15a Det är viktigt att kontrollera stödbenets vinkel, det ska alltid ha minst 10° vinkel ut från stolsryggen. Du kontrollerar detta genom att se till att stödbenet befinner sig utanför stolens lodlinje.
- 16a Tryck sedan ned bilbarnstolen igen på både höger och vänster sida (i)(ii), fästremmarna dras då åt automatiskt.

Om bilbarnstolen är monterad i bilens baksäte kan bilens framsäte nu flyttas till ett bekvämt läge.

Obs! Bilbarnstolens rygg kan, men måste inte, ha kontakt med det framförvarande ryggstödet.

Sätt Barnet I Bilbarnstolen.

- 17 Tryck på justeringsknappen för bilbarnstolens bälte (E) och dra fram axelremmarna (inte de vadderade axelskyddet) maximalt.
- 18 Tryck på spännets röda frisläppningsknapp och lossa bilbarnstolens bilbälte.
- 19 Sätt barnet i bilbarnstolen. För in barnets armar under axelremmarna så att axelremmarna hänger över bröstet och magen.
- 20 För samman axelremmarna och för in bältesändarna i bälteslåset mellan barnets ben.
- 21 Dra åt justeringsremmen för bilbarnstolens bälte (F). Det är viktigt att du alltid drar åt bilbarnstolens bälte rakt framifrån och centrerat. Bilbarnstolens bälte dras då åt korrekt och huvudstödet glider automatiskt ned till rätt höjd.

Låsbart Huvudstöd

- 22 Rekid har ett låsbart huvudstöd. Låset kan användas för att hålla huvudstödet i fast läge. För att aktivera låset: dra i justeringsremmen tills huvudstödet är i önskad höjd. Ett svagt klickljud hörs när huvudstödet låser fast i sitt läge. Kontrollera att huvudstödet inte kan dras ned ytterligare och aktivera låset genom att föra spaken (i) åt höger.

WARNING! Dra inte upp huvudstödet när låset är aktiverat.

Bakåtvänd Med Bilbälte Och Fästremmar 9-25 Kg Placera Bilbarnstolen

- 2b Rekid lyfts enklast in i bilen med ryggen först. Placera bilbarnstolen i bilen så att ryggen pekar framåt i bilens färdriktning.
- 3b Klackarna (O) ska sitta över kanten på bilsätet. Markeringen (Q) på klacken ska vara lodrätt i linje med kanten på bilsätet. Om du har en liten bil eller om barnet inte behöver extra benutrymme, kan du istället ställa bilbarnstolen med klacken uppe på bilsätet och på så sätt också få en mer tillbakalutad vinkel.

Obs! Vid montering i framsätet kan bilbarnstolens ryggstöd ha kontakt med instrumentbrädan, men det är inte nödvändigt.

- 4b Justera bilbarnstolens lutningsvinkel genom att trycka ned lutningsspaken (G) och välja en av tre lutningsvinklar. Välj alltid en så upprätt vinkel som möjligt. Barnet ska dock kunna hålla uppe sitt huvud själv, och huvudet ska inte hänga framåt om barnet sover. Tumregeln är att ju äldre barnet blir desto mer upprätt kan du sätta stolen. Tänk också på att stolen kommer att luta något mer bakåt när säkerhetsbältena och fästremmarna spänns och den sjunker ner i sätet.

Fästa Bilbältet

- 5b Öppna båda bältesklämmorna (K) på bilbarnstolen. Dra ut bilbältet så att höftdelen är minst 70 till 80 centimeter lång. För in bältet genom öppningen (D) och för det under klädseln tills det kommer ut genom öppningen på andra sidan. Om du vill kan du istället föra in bältet genom öppningen (D) sedan dra bältet över klädseln och föra in det genom öppningen på andra sidan.
- 6b För in bältestspännet i bälteslåset. Dra åt säkerhetsbältet tills det är helt spänt överallt. Fäst både höft- och axeldelen i bältesklämman som sitter närmast bälteslåset.
- 7b I bältesklämman på andra sidan ska endast höftdelen fästas.



Montera aldrig bilbarnstolen på ett säte där det finns en aktiv airbag.



Fästa Fästremmarna

I vissa bilar finns det förankringsöglor i golvet vid framsätets skenor, eller framför sätet vid montering i framsätet.

- 8 Om bilen saknar förankringsöglor måste de medföljande förankringsbanden användas.
- 9 Om stolen monteras i baksätet: för förankringsbandet med änden med spännet genom den bakre delen av framsätets skenor eller en annan lämplig fästpunkt på framsätet. Förankringspunkten ska vara så nära golvet som möjligt. För därför in förankringsbandets spänne genom den närmaste öppningen, knyt en löpknut och dra åt. Detta måste göras på båda sidor för att skapa två förankringspunkter.
- 10 När Rekid monteras i det främre passagerarsätet måste de nedre förankringsbanden fästas i de främre glidskenorna så att förankringspunkterna hamnar vid passagerarsätets framkant.
- 11b Dra ut den övre fästremmen från bälteshuset (N) till lämplig längd.
- 12b Kontrollera att de vita markeringarna på remmen (i) är synliga. Om inte, pröva att korsar remmarna (ii) för att på så vis göra dem lite längre så att de vita markeringarna blir synliga.
- 13b Sätt fast förankringsfästena direkt i bilens förankringsöglor (eller i de nedre förankringsbanden om du använt dem). Tryck hårt nedåt ovanpå höger sida (i) av bilbarnstolen och upprepa sedan på vänster sida (ii). För att stolen ska sitta på plats är det viktigt att du trycker med hela din kroppsvikt och drar åt fästremmarna mycket hårt. Detta är den första åtdragningen av fästremmarna.

- 14b Fäll ut stödbenet (R) till dess yttersta läge. Dra ut den övre spärren (S) och dra ner benet tills det får kontakt med bilens golv. Om stödbenet inte når ned till golvet, upprepa med den nedre spärren (T).
- 15b Det är viktigt att kontrollera stödbenets vinkel, det ska alltid ha minst 10° vinkel ut från stolsryggen. Du kontrollerar detta genom att se till att stödbenet befinner sig utanför stolens lodlinje.
- 16b Tryck sedan ned bilbarnstolen igen på både höger och vänster sida (i)(ii), fästremmarna dras då åt automatiskt.

Om bilbarnstolen är monterad i bilens baksäte kan bilens framsäte nu flyttas till ett bekvämt läge.

Obs! Bilbarnstolens rygg kan, men måste inte, ha kontakt med det framförvarande ryggstödet.

Sätt Barnet I Bilbarnstolen.

- 17 Tryck på justeringsknappen för bilbarnstolens bälte (E) och dra fram axelremmarna (inte de vadderade axelskyddet) maximalt.
- 18 Tryck på spännets röda frisläppningsknapp och lossa bilbarnstolens bilbälte.
- 19 Sätt barnet i bilbarnstolen. För in barnets armar under axelremmarna så att axelremmarna hänger över bröstet och magen.
- 20 För samman axelremmarna och för in bältesändarna i bälteslåset mellan barnets ben.
- 21 Dra åt justeringsremmen för bilbarnstolens bälte (F). Det är viktigt att du alltid drar åt bilbarnstolens bälte rakt framifrån och centrerat. Bilbarnstolens bälte dras då åt korrekt och huvudstödet glider automatiskt ned till rätt höjd.

Låsbart Huvudstöd

- 22 Rekid har ett låsbart huvudstöd. Låset kan användas för att hålla huvudstödet i fast läge. För att aktivera låset: dra i justeringsremmen tills huvudstödet är i önskad höjd. Ett svagt klickljud hörs när huvudstödet låser fast i sitt läge. Kontrollera att huvudstödet inte kan dras ned ytterligare och aktivera låset genom att föra spaken (i) åt höger.

WARNING! Dra inte upp huvudstödet när låset är aktiverat.

Skötsel Och Underhåll

Barnstolens klädsel kan tas av och tvättas i maskin på 30 °C handtvättsprogram. Torka inte i torktumlare, det kan skada klädseln och vadderingen kan lossna från tyget.

På www.axkid.com finns filmer som visar hur man tar av och sätter tillbaka klädseln. Pip

Bilbarnstolens plastdelar kan rengöras med mildt rengöringsmedel och vatten. Använd inte starka kemikalier som innehåller lösningsmedel och liknande, eftersom det kan skada plasten och försämra bilbarnstolens säkerhet.

Alla material som använts i Rekid bilbarnstol är återvinningsbara och ska återvinnas i enlighet med lokala bestämmelser. Fråga din kommun om du är osäker på hur du ska återvinna produkten.

Gör inga egna reparationer eller ändringar på bilbarnstolen annat än de som redovisas här. Följ anvisningarna i instruktionsboken noggrant. Eventuella reparationer måste utföras av tillverkaren eller dess agent.

Om klädseln behöver bytas ut, använd endast originalprodukter från Axon Kids. Om andra produkter används äventyras stolens säkerhetssystem, vilket kan orsaka allvarig personskada eller dödsfall vid en olycka.

Alla material har hög motståndskraft mot UV-strålning. UV-strålning från solen är emellertid mycket stark och gör att tyget bleks. Detta omfattas inte av garantin utan anses vara normalt slitage.

Garanti

Rekid bilbarnstol omfattas av en 24 månaders garanti från inköpsdatumet. Spara alltid kvittot och ta med det till återförsäljaren vid eventuell reklamation. Garantin täcker inte:

* Normalt slitage

* Skada till följd av felaktig användning, försummare eller olycka

* Reparationer som utförts av tredje part

Rekid

Umístění proti směru jízdy ve váhové kategorii 9-18 kg pomocí Isofixu a upevňovacích pásků
Umístění proti směru jízdy ve váhové kategorii 9-25 kg pomocí bezpečnostního pásu auta a upevňovacích pásků

Návod k použití

Důležité informace

Pečlivě si přečtěte tento návod k použití zádržného systému, autosedačky Rekid do vašeho automobilu. Více informací a videa k instalaci najdete na www.axkid.com.

Děkujeme vám, že jste si vybrali autosedačku značky Axkid. Náš tým má více než 30-ti leté zkušenosti v oblasti dětské bezpečnosti a vyvinuli jsme veškeré naše úsilí k tomu, aby byla autosedačka Rekid co nejbezpečnější. Autosedačka Rekid je schválena podle normy ECE R44/04, nejnovějšího evropského standardu pro bezpečnost dětí. Abychom maximalizovali bezpečnost vašeho dítěte, je důležité myslet na následující:

Před instalací autosedačky Rekid si pečlivě přečtěte tento návod k použití. Pokud jste na pochybách, obraťte se na svého prodejce, který vám rád pomůže se správnou instalací. Nesprávná instalace může ohrozit vaše dítě.

Nepoužívejte autosedačku na sedadle, kde je aktivní airbag. Pokud chcete autosedačku Rekid nainstalovat na místo s airbagem, musí se airbag vypnout nebo deaktivovat v autorizovaném servisu. Je vždy důležité se přesvědčit, že airbag je deaktivovaný, některé vozy jsou vybaveny světelnou kontrolkou deaktivace.

Rozsáhlý výzkum prokázal, že riziko vážného zranění u malých dětí je pětikrát vyšší při použití autosedačky po směru jízdy, ve srovnání s použitím zádržného systému v poloze proti směru jízdy. V autosedačce Rekid může vaše dítě cestovat v poloze proti směru jízdy až do váhy 25kg.

Při instalaci autosedačky Rekid vždy používejte opěrnou nohu. Je to důležitý bezpečnostní prvek, navržený s ohledem na co nejvyšší bezpečí vašeho dítěte v případě dopravní nehody.

Po dopravní nehodě, jakkoliv malé, by měl být váš zádržný systém vyměněn. Mohou se objevit nejistitelné závady, které mohou vážně ohrozit bezpečnost vašeho dítěte. To je také jeden z důvodů, proč Axkid nedoporučuje nákup sedačky z druhé ruky.

Nikdy nenechávejte vaše dítě v autě bez dozoru.

Všechny zavazadla a nepřipevněné předměty je třeba v autě zajistit, v případě nehody mohou způsobit vážná zranění cestujících.

Na vaší autosedačce najdete kapsičku, určenou pro uschování tohoto návodu (P).

Obsah

Autosedačku Rekid lze používat cca od 6 měsíců věku dítěte nebo od doby, kdy je dítě schopné samostatně sedět, až do věku šesti let. Tento zádržný systém můžete do auta nainstalovat čtyřmi různými způsoby v závislosti na věku a velikosti dítěte.

Části	58
Povolené a nepovolené polohování autosedačky	59
Proti-směrné 9-18kg s Isofixem	60-62
Tento způsob montáže lze použít, pokud je vaše auto vybaveno Isofixovými kotvami a vaše dítě váží mezi 9 a 18 kg.	
Proti-směrné 9-25kg s bezpečnostním pásem auta a pásy	62-64
Toto uchycení je pro automobily, které NĚmají Isofixové kotvy. Tento způsob montáže lze použít pro děti vážící 9-25 kg, pomocí 3-bodového pásu auta.	
Péče a údržba	65
Záruka	65

Části

A	Opěrka hlavy	L	Základna
B	Integrované popruhy	M	Tlačítko uvolnění Isofixu
C	Upínací přezka popruhů	N	Upevňovací pásy
D	Otvor pro bezpečnostní pás	O	Patky
E	Tlačítko úpravy popruhů	P	Kapsička na uložení návodu
F	Pásek nastavení popruhů	Q	Svislá drážka
G	Páčka nastavení polohování	R	Opěrná noha
H	Isofixové konektory	S	Horní knoflík
I	Nastavení Isofixu	T	Spodní knoflík
J	Indikátor Isofixu	U	Vodiče Isofixu (x2)
K	Zajištění pásu	V	Spodní kotvící pásy (x2)

Povolené A Nepovolené Způsoby Instalace Autosedačky

- 1 Dětský zádržný systém může být instalován na jakémkoliv sedadle v automobilu, umístěné po směru jízdy, které je vybaveno Isofixovými kotvami nebo 3-bodovým bezpečnostním pásem (i), kde není aktivní airbag. Dětský zádržný systém nelze instalovat na sedadlo, vybavené pouze 2-bodovým bezpečnostním pásem (ii).

DŮLEŽITÉ: Pokud chcete umístit sedačku Rekid na místo, vybavené airbagem, je třeba airbag nechat odpojit v autorizovaném servisu. Některá vozidla disponují mechanickým vypínačem airbagu – v tom případě je možné odpojit airbag tímto způsobem. Je třeba zkontrolovat světelný indikátor, signalizující vypnutí airbagu.

VAROVÁNÍ: Nikdy nepoužívejte na sedadle, kde je aktivní airbag.

VAROVÁNÍ: Nikdy nepoužívejte na sedadlech, umístěných v autě proti směru nebo bokem ke směru jízdy.

VAROVÁNÍ: Airbagy jsou určeny pro dospělé cestující, vašim dětem mohou způsobit vážná zranění.

Povolené a nepovolené způsoby instalace dětské autosedačky

Přední sedadlo spolujezdce (airbag není aktivní)	Ano
Přední sedadlo spolujezdce (airbag je aktivní)	Ne
Sedadlo vybavené 3-bodovým bezpečnostním pásem, směrem po směru jízdy	Ano
Sedadlo vybavené 2-bodovým bezpečnostním pásem	Ne
Sedadlo s Isofixovými kotvami, směrem po směru jízdy	Ano
Sedadlo umístěné bokem ke směru jízdy	Ne
Sedadlo umístěné zády ke směru jízdy	Ne



Nikdy neinstalujte dětskou sedačku na sedadlo auta, kde je aktivní airbag.



Proti Směru Jízdy 9-18 Kg S Isofixem

Instalace Dětské Autosedačky

- 2a Nejdříve stiskněte a držte seřizovač Isofixu (I). Nyní je možné vyklopit Isofixové konektory (H).
- 3a Nejjednodušší způsob usazení sedačky Rekid do auta je zády napřed. Obratťe záda autosedačky směrem k přední části auta.

Poznámka: Pokud instalujete Rekid na přední sedadlo spolujezdce, je vhodné (ale ne zásadní), aby se záda sedačky dotýkala palubní desky.

Připojení Isofixových Konektorů

- 4a Isofixové kotvy jsou v autě umístěny mezi opěradlem a sedací částí sedadla, v místě spáry.
- 5a Vodiče Isofixu (U), které jsou součástí dodávky, vám mohou pomoci s nalezením správného místa uchycení. Také pomáhají chránit potahy auta.
- 6a Zatlačte Isofixové konektory (H) skrz vodiče a zacvakněte je do kovových kotev. Až uslyšíte kliknutí a oba indikátory (J) jsou zelené, instalace proběhla úspěšně. Pokud chcete autosedačku vyndat, držte obě uvolňovací tlačítka (M).
- 7a Stiskněte páčku nastavení polohování (G) a nastavte jednu ze tří poloh náklonu autosedačky. Vždy nastavujte co nejvíce vzpřímenou polohu, nicméně vaše dítě musí být schopno samo držet hlavičku. Zároveň by mělo být dost nakloněné pro případ, že usne (aby mu nepadala hlavička dopředu). Čím je dítě starší, tím by měla být sedačka více vzpřímená. Myslete, prosím, na to, že jakmile dokončíte instalaci Rekidu, sedačka se jakoby vmáčkne do sedadla auta díky dotažení popruhů a pásků a tím bude ještě o trochu více nakloněná.



Nikdy neinstalujte dětskou sedačku na sedadlo auta, kde je aktivní airbag.



Připojení Upevňovacích Pásků

Některá vozidla mohou být vybavena kotvícími očky u spodní části kolejnic předního sedadla, nebo pokud instalujete na sedadlo spolujezdce, ještě před ním.

- 8 Pokud vaše vozidlo není vybaveno takovými kotvícími očky, je nutné použít kotvící pásky, dodávané spolu se sedačkou.
- 9 Pokud instalujete sedačku na zadní sedadlo, prostrčte část kotvícího pásku s přezkou dole skrz zadní část kolejnic předního sedadla, případně skrz pant nebo kolem kovové tyčky. Kotvící bod musí být co nejbližší k podlaze. Potom protáhněte přezku nejbližším vhodným otvorem v pásku – tím vytvoříte klouzavou smyčku – a pevně zatáhněte. Opakujte i na druhé straně, je potřeba mít dva kotvící body.
- 10 Pokud instalujete sedačku na přední sedadlo spolujezdce, dolní kotvící pásky musí být připojené na přední kolejnice, takže kotvící body budou umístěny podél přední hrany sedadla spolujezdce.
- 11a Vytáhněte horní kotvící pásek z jeho krytu (N) do dostatečné délky.
- 12a Ujistěte se, že bílé značení na pásku (i) je viditelné. Pokud není, můžete zkusit překřížit pásky přes sebe (ii), čímž se prodlouží a potom bude bílé značení vidět.
- 13a Zcvakněte připojovací spony přímo do kotvících oček vozidla (nebo spodních upevňovacích pásků, pokud byly použity). Pořádně zatlačte směrem dolů ze shora na jedné straně sedačky (i) a potom také na druhé straně (ii). Je důležité opřít se celou vahou těla a pořádně tlačít směrem dolů, aby se upevňovací pásky pevně dotáhly. Toto je první dotažení upevňovacích pásků.
- 14a Vytáhněte opěrnou nohu (R) ven do maximálního úhlu. Zatáhněte horní knoflík (S) směrem ven a prodlužte délku opěrné nohy tak, aby se dotýkala podlahy. Pokud je příliš krátká, opakujte stejný postup i se spodním knoflíkem (T).
- 15a Je důležité zkontrolovat, že opěrná noha svírá se zády autosedačky úhel vyšší než 10°. Můžete si to ověřit třeba tím, že zkontrolujete náklon opěrné nohy vůči sedadlu, který má být větší než kolmý.
- 16a Znovu zatlačte směrem dolů a kolébavým pohybem do stran autosedačky (i) (ii), upevňovací pásky se automaticky utáhnou.

Pokud jste již autosedačku na zadním sedadle nainstalovali, můžete posunout přední sedadlo do pohodlné polohy.

Poznámka: Záda autosedačky se mohou, ale nemusí dotýkat zadní části předního sedadla.

Umístění Dítěte Do Autosedačky

- 17 Stiskněte tlačítko úpravy popruhů (E) a vytáhněte ramenní popruhy směrem dopředu (bez ramenních vypávek), čímž úplně povolíte popruhy.
- 18 Stiskněte červené tlačítko rozepnutí na upínací přezce a uvolněte popruhy.
- 19 Umístěte dítě do sedačky. Vedte paže dítěte pod ramenními popruhy tak, že popruhy visí přes hrudník a žaludek.
- 20 Spojte ramenní pásy dohromady a jazyčky spony zacvakněte do přezky mezi nožičkami dítěte.
- 21 Zatáhněte za pásek úpravy popruhů (F). Když utahujete pásek, je důležité vždy tahat směrem rovně a do středu. Tím dojde k upevnění popruhů a zároveň automaticky sjede opěrka hlavy do náležité výšky.

Aretace Opěrky Hlavy

- 22 Opěrka hlavy na sedačce Rekid je vybavena funkcí aretace. Můžete ji použít, pokud chcete zajistit opěrku hlavy v pevné poloze. Pokud chcete tuto funkci aktivovat, táhněte za pásek úpravy popruhů, dokud nedosáhnete požadované výšky. Uslýšíte slabé cvaknutí, jak se opěrka dostala do konkrétní polohy. Ověřte, že již nelze dále posouvat a zaaretujte opěrku hlavy posunutím páčky (I) směrem doprava.

VAROVÁNÍ: Pokud je opěrka hlavy zaaretovaná, nevytahujte ji směrem nahoru.

Proti Směru Jízdy 9-25Kg S Bezpečnostním Pásem & Upínacími Pásky

Instalace Dětské Autosedačky

- 2b Nejjednodušší způsob usazení sedačky Rekid do auta je zády napřed. Obratě záda autosedačky směrem k přední části auta.
- 3b Patky (O) by měly být umístěny přes okraj sedadla automobilu. Svislá drážka (T) na patce by měla být zároveň s hranou sedadla.
Pokud instalujete sedačku v malém autě nebo pokud vaše dítě nepotřebuje extra prostor na nohy, můžete posadit patku přímo na sedadlo, čímž zároveň získáte možnost většího náklonu autosedačky.

Poznámka: Pokud instalujete Rekid na přední sedadlo spolujezdce, je vhodné (ale ne zásadní), aby se záda sedačky dotýkala palubní desky.

- 4b Stiskněte páčku nastavení polohování (G) a nastavte jednu ze tří poloh náklonu autosedačky. Vždy nastavujte co nejvíce vzpřímenou polohu, nicméně vaše dítě musí být schopno samo držet hlavičku. Zároveň by mělo být dost nakloněné pro případ, že usne (aby mu nepadala hlavička dopředu). Čím je dítě starší, tím by měla být sedačka více vzpřímená. Myslete, prosím, na to, že jakmile dokončíte instalaci Rekidu, sedačka se jakoby vmáčkne do sedadla auta díky dotažení popruhů a pásků a tím bude ještě o trochu více nakloněná.

Upevnění Bezpečnostního Pásu Auta

5b Rozeprňte upevňovací klipy pásu (K) na obou stranách autosedačky Rekid. Vytáhněte pás auta do jeho plné délky nebo alespoň 70-80cm. Protáhněte pás otvorem pro bezpečnostní pás (D), mezi potahem sedačky a skořepinou a vytáhněte ven stejným otvorem na druhé straně sedačky. Pokud je to pro vás pohodlnější, můžete také protáhnout pás stejným otvorem jako v předchozím případě (D), potom horem přes potah sedačky a skrz otvor na druhé straně zpátky.

6b Zacvakněte jazýček přezky do zámku sedačcla v autě. Zatáhněte za pás a upravte těsnost pásu po celé jeho délce. Upevněte ramenní i bederní pás v blízkosti zámku bezpečnostního pásu vozidla.

7b Při upevňování na opačné straně se zaměřte pouze na bederní část pásu.



Nikdy neinstalujte dětskou sedačku na sedadlo auta, kde je aktivní airbag.



Připojení Upevňovacích Pásků

Některá vozidla mohou být vybavena kotvícími očky u spodní části kolejnic předního sedadla, nebo pokud instalujete na sedadlo spolujezdce, ještě před ním.

8 Pokud vaše vozidlo není vybaveno takovými kotvícími očky, je nutné použít kotvící pásy, dodávané spolu se sedačkou.

9 Pokud instalujete sedačku na zadní sedadlo, prostrčte část kotvícího pásku s přezkou dole skrz zadní část kolejnic předního sedadla, případně skrz pant nebo kolem kovové tyčky. Kotvící bod musí být co nejbližší k podlaze. Potom protáhněte přezku nejbližším vhodným otvorem v pásku – tím vytvoříte klouzavou smyčku – a pevně zatáhněte. Opakujte i na druhé straně, je potřeba mít dva kotvící body.

10 Pokud instalujete sedačku na přední sedadlo spolujezdce, dolní kotvící pásy musí být připojené na přední kolejnice, takže kotvící body budou umístěny podél přední hrany sedadla spolujezdce.

11b Vytáhněte horní kotvící pásek z jeho krytu (N) do dostatečné délky.

12b Ujistěte se, že bílé značení na pásku (I) je viditelné. Pokud není, můžete zkusit překřížit pásy přes sebe (II), čímž se prodlouží a potom bude bílé značení vidět.

13b Zacvakněte připojovací spony přímo do kotvících oček vozidla (nebo spodních upevňovacích pásků, pokud byly použity). Pořádně zatlačte směrem dolů ze shora na jedné straně sedačky (I) a potom také na druhé straně (II). Je důležité opřít se celou vahou těla a pořádně tlačít směrem dolů, aby se upevňovací pásy pevně dotáhly. Toto je první dotažení upevňovacích pásků.

- 14b Vytáhněte opěrnou nohu (R) ven do maximálního úhlu. Zatáhněte horní knoflík (S) směrem ven a prodlužte délku opěrné nohy tak, aby se dotýkala podlahy. Pokud je příliš krátká, opakujte stejný postup i se spodním knoflíkem (T).
- 15b Je důležité zkontrolovat, že opěrná noha svírá se zády autosedačky úhel vyšší než 10°. Můžete si to ověřit třeba tím, že zkontrolujete náklon opěrné nohy vůči sedadlu, který má být větší než kolmý.
- 16b Znovu zatlačte směrem dolů a kolébavým pohybem do stran autosedačky (i) (ii), upevňovací pásy se automaticky utáhnou.

Pokud jste již autosedačku na zadním sedadle nainstalovali, můžete posunout přední sedadlo do pohodlné polohy.

Poznámka: Záda autosedačky se mohou, ale nemusí dotýkat zadní části předního sedadla.

Umístění Dítěte Do Autosedačky

- 17 Stiskněte tlačítko úpravy popruhů (E) a vytáhněte ramenní popruhy směrem dopředu (bez ramenních vycpávek), čímž úplně povolíte popruhy.
- 18 Stiskněte červené tlačítko rozepnutí na upínací přezce a uvolněte popruhy.
- 19 Umístěte dítě do sedačky. Vedte paže dítěte pod ramenními popruhy tak, že popruhy visí přes hrudník a žaludek.
- 20 Spojte ramenní pásy dohromady a jazýčky spony zacvakněte do přezky mezi nožičkami dítěte.
- 21 Zatáhněte za pásek úpravy popruhů (F). Když utahujete pásek, je důležité vždy tahat směrem rovně a do středu. Tím dojde k upevnění popruhů a zároveň automaticky sjede opěrka hlavy do náležité výšky.

Aretace Opěrky Hlavy

- 22 Opěrka hlavy na sedačce Rekid je vybavena funkcí aretace. Můžete ji použít, pokud chcete zajistit opěrku hlavy v pevné poloze. Pokud chcete tuto funkci aktivovat, táhněte za pásek úpravy popruhů, dokud nedosáhnete požadované výšky. Uslyšíte slabé cvaknutí, jak se opěrka dostala do konkrétní polohy. Ověřte, že již nelze dále posouvat a zaaretujte opěrku hlavy posunutím páčky (i) směrem doprava.

VAROVÁNÍ: Pokud je opěrka hlavy zaaretovaná, nevytahujte ji směrem nahoru.

Péče A Údržba

Potah autosedačky můžete sundat a vyprat v pračce na jemný prací program do 30°C. Nesušte v sušičce! Mohlo by dojít k poškození potahu a vycpávky by se mohly oddělit od látky. Vídea, znázorňující jak sejmout a opět nasadit potah najdete na www.axonkid.com.

Všechny plastové části Rekidu můžete čistit jemným čisticím prostředkem a vodou. Nepoužívejte agresivní chemikálie, obsahující rozpouštědla apod. Mohlo by dojít k poškození plastů a ohrozit bezpečnost dětského zádržného systému.

Všechny materiály, použité na autosedačce Rekid jsou recyklovatelné a měly by proto být recyklovány v souladu s místní legislativou. Pokud si nejste jistí, požádejte o radu nejbližšího odborníka v oblasti recyklace a nakládání s odpadem.

Jakékoliv jiné úpravy a modifikace výrobku než ty, uvedené v tomto návodu, nejsou dovoleny. Pečlivě se řiďte uvedenými instrukcemi. Všechny opravy musí být provedeny výrobcem nebo prodejcem Rekidu.

Pokud potřebujete vyměnit potah výrobku, doporučujeme použít originální potah od výrobce, Axon Kids. Pokud použijete jiný produkt, může dojít ke snížení bezpečnosti výrobku a může to v případě dopravní nehody vést i k vážnému zranění nebo dokonce smrti.

Všechny použité materiály jsou vysoce odolné vůči UV záření. Nicméně, toto záření je velmi agresivní a může časem vést k vyblednutí barev potahu. Na to se nevztahuje záruka, vyblednutí barev se považuje za běžné opotřebení při používání.

Záruka

Na autosedačku Rekid poskytuje výrobce záruku 24 měsíců od data nákupu. Záruku lze uplatnit u vašeho prodejce s dokladem o koupi výrobku. Pokud se na výrobku vyskytne závada, kontaktujte vašeho prodejce. Doba záruky se prodlužuje o dobu, po kterou byl výrobek v servisu. Reklamací je nezbytné uplatnit co nejdříve po tom, co se závada objeví. Případné prodlení může způsobit zhoršení závady. Zboží k reklamaci předávejte ve stavu, odpovídajícím zásadám obecné hygieny. Zjevné vady (chybějící části) je nutné reklamovat ihned nebo nejpozději do 10 dnů od zakoupení zboží. Na pozdější reklamacie nebude brán zřetel. Záruka se nevztahuje na:

* Běžné opotřebení při používání

* Závady způsobené nesprávným používáním, zanedbáním nebo dopravní nehodou

* Opravy a úpravy sedačky, prováděné třetí stranou

Distributed in the UK by
KoolTrade Ltd, Unit 3, Orbital Way, Denton, Manchester,
United Kingdom M34 3QA. Tel: (+44) 0161 335 2500



Distribué en France par
KoolTrade Ltd, Unit 3, Orbital Way, Denton, Manchester,
United Kingdom M34 3QA. Tel: (+44) 0161 335 2500



Distribuido en España por
Distribuciones Independent Marketing S.L.
Pol. La Léala, Calle Santo Tomas, 8
29631 Arroyo de la Miel, Málaga
Tel: (+34) 902 111 881



Distribuído no Portugal por
Distribuciones Independent Marketing S.L.
Pol. La Léala, Calle Santo Tomas, 8
29631 Arroyo de la Miel, Málaga, Espanha
Tel: (+34) 902 111 881



Vertrieb in Deutschland durch:
Vital-Innovations (D), Ltd.
Glanstrasse 33
66887 Rammelsbach
Tel. (+49) 06381-4250879



Dystrybucja w Polsce:
Junior
ul. Horbaczewskiego 4-6
54-130 Wrocław
+48 713549723



Distributer za Slovenijo in Hrvaško
MiniMe d.o.o.; Tbilisjska ulica 59; 1000 Ljubljana;
SI-Slovenija
www.minime.si; info@minime.si; 00386 41 760 900

Axkid AB
Odinslundsgatan 17, 412 66 Göteborg, Sweden
www.axkid.com • info@axkid.com • +46 511 760 620